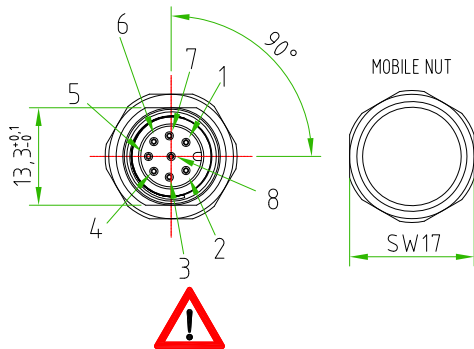
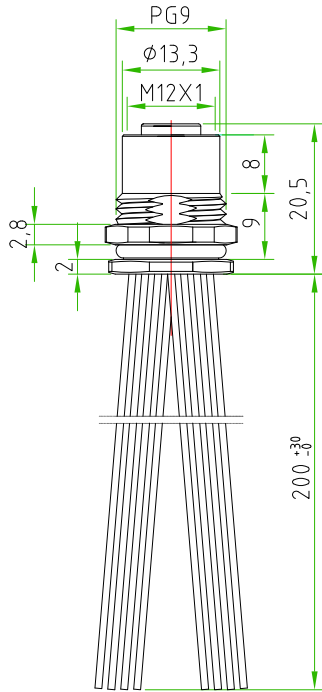
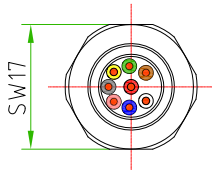


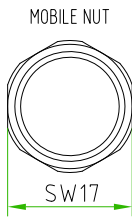
Rev.	Modify	Date	Signed	Approved

Rev.	Modify	Date	Signed	Approved

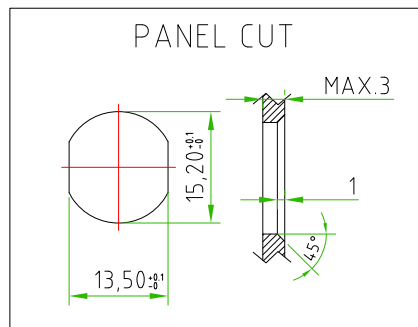
Rev.	Modify	Date	Signed	Approved
01	-	2020-03-11	R.SUGLIANI	L.CIMMINO



PAY ATTENTION to the position of the polarization key towards the hexagonal fixed nut. The polarization key must be 180° in reference to the CUT of the thread



PAY ATTENTION: EACH FEMALE CONTACT MUST BE CHECKED TWICE USING THE CALIBRATED TOOL ($\varnothing 0,77\text{mm}^{+0,03}$) BEFORE AND AFTER THE INSERTION INTO THE CONNECTOR



CUSTOMER APPROVAL	
SIGNATURE	DATE
PLEASE SIGN AND RETURN	

- WHITE ○ — C 1
- BROWN ○ — C 2
- GREEN ○ — C 3
- YELLOW ○ — C 4
- GREY ○ — C 5
- PINK ○ — C 6
- BLUE ○ — C 7
- RED ○ — C 8

CONNECTOR FEATURES	
PRODUCT TYPE	M12 CIRCULAR CONNECTOR TO PANEL WITH WIRES.
TYPE MOUNTING	BACK MOUNTING
CONTACTS TYPE	FEMALE 8POLES
NUMBER OF CONTACTS CONNECTED	N°8
HOUSING MATERIAL	BRASS+NICKEL PLATED
O-RING MATERIAL	NBR
FIXING THREAD	PG9
SIZE CUT	13,30mm (+0,1/-0)
SIZE FIXED NUT(SW)	SW17
SIZE MOBILE NUT(SW)	SW17
PROTECTION CLASS	IP67
RATED VOLTAGE	30V AC/DC
RATED CURRENT	2A
CONNECTOR WITHOUT ANY LOGO	
WIRES FEATURES	
NUMBER OF CONDUCTORS	N°8
CONDUCTORS SECTION	0,25mm ²
CONDUCTORS INSULATION MATERIAL	PVC
CONDUCTORS LENGHT	200mm

Designer	SUGLIANI R.	Date	2016-11-17	Tolerance	±0.3	Units:	mm	Series	M12	Drawing n.	1-1
Approved	CIMMINO L.	Date	2016-11-17	Scale	1:1	Size:	A4	Customer code:			

DESCRIPTION

CIRCULAR CONNECTOR M12,FEMALE,TO PANEL,8POLES,BACK MOUNTING, PG9 THREAD, COMPLETE WITH CUT(POLARIZATION KEY OF THE CONNECTOR MUST BE POSITIONED 180° TOWARDS THE CUT), WITH N°8 WIRES PVC 0,25mm² L=200mm . CONNECTOR WITHOUT ANY LOGO

H.T.P.PART NUMBER

12FR8A0B-PG9-CUT-180

