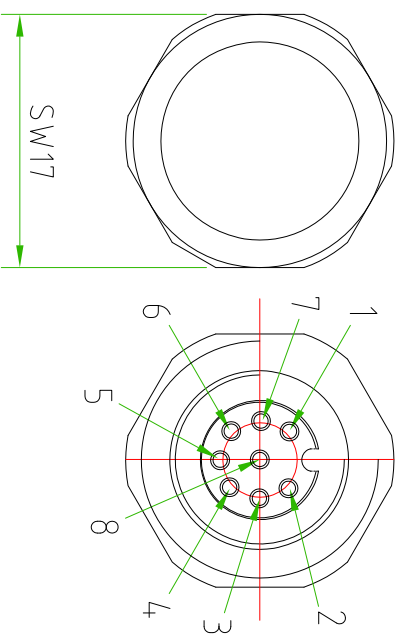
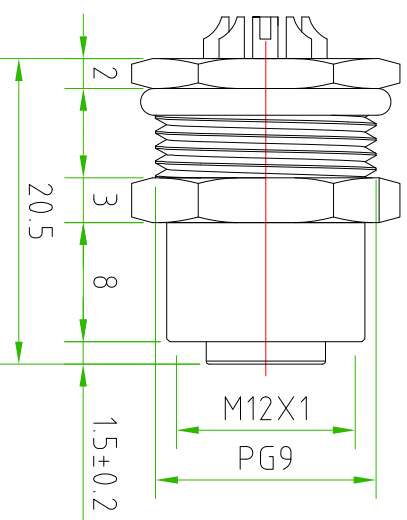


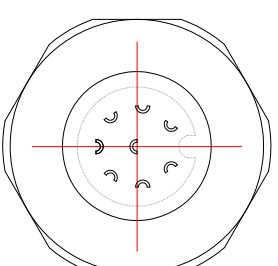
FRONTAL VIEW



LATERAL VIEW

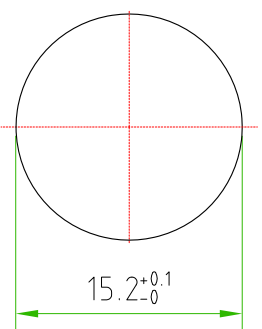


BACK VIEW

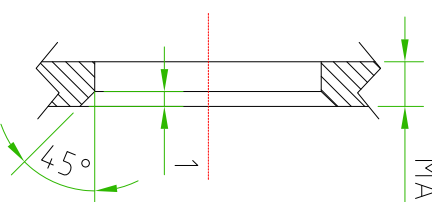


CONNECTOR FEATURES	
CONNECTOR TYPE	M12 TO PANEL
MOUNTING TYPE	BACK
CONTACT TYPE	FEMALE
NUMBER OF CONTACTS CONNECTED	n°8
HOUSING MATERIAL	METAL (CuZn/Ni)
THREAD	PG9
SWITCH FIXED NUT	SW17
CONTACT TYPE	SOLDERED WIRES

PANEL SIZE



MAX.3

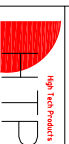


TOLERANCE		DESIGNATORE		DATA		SCALA		DESIGNOR	
UDM	ANGOLO	LORENZO	CIMMINO	07.11.11		2:1			
DESCRIZIONE		CONTROLLO		TRP0		MATERIALE			

M12 FEMALE PANEL 8 POLES BACK MOUNTING
PG9 WITH SOLDERED CONTACTS

M12

MATERIALE



H.T.P. HIGH TECH PRODUCTS

H.T.P.

12FR8000-PG9