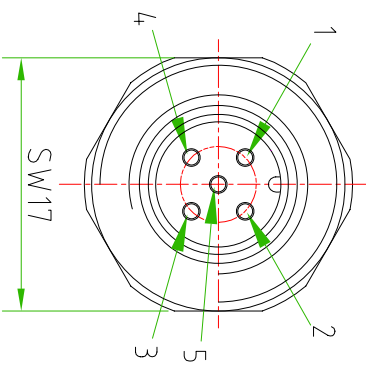
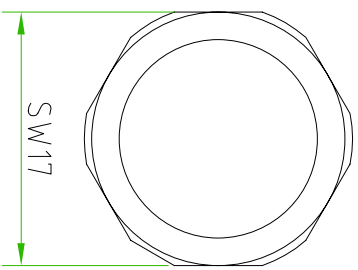
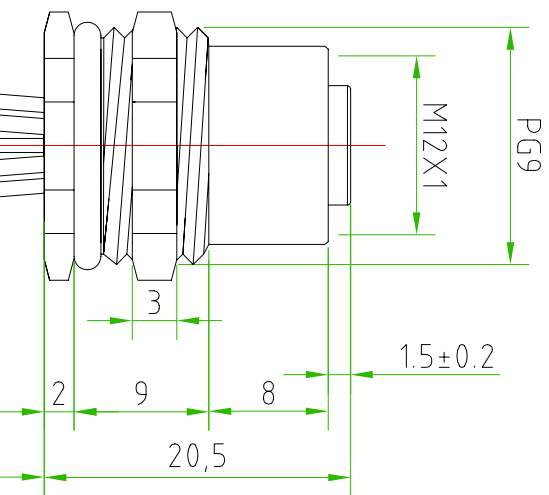


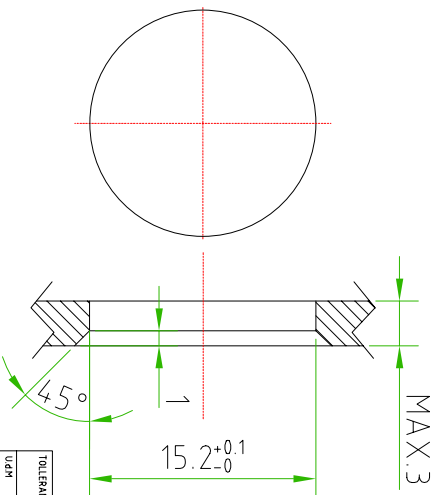
- BROWN ○ — C 1
- WHITE ○ — C 2
- BLUE ○ — C 3
- BLACK ○ — C 4
- GREY ○ — C 5



FRONTAL VIEW



PANEL SIZE



CONNECTOR FEATURES	
CONNECTOR TYPE	M12 TO PANEL
MOUNTING TYPE	BACK
CONTACT TYPE	FEMALE
NUMBER OF CONTACTS CONNECTED	n°5
HOUSING MATERIAL	Brass+nichel plated (CuZnNi)
FIXING THREAD	PG9
SWITCH FIXED NUT	SW17
CONDUCTOR MATERIAL	PVC
CONDUCTOR LENGHT	300mm
CONDUCTOR SECTION	0.34mm ²
n°OF CONDUCTORS	5
RATED VOLTAGE	60V AC/DC
RATED CURRENT	4A

TOLERANZE		DISGIATORE		DATA		SCALA		DESIGNA.	
UDM	ANGOLO	CONTRULLATO	CIMMINO						
	±0.2		LORENZO	07.11.12	2:1				
DESCRIZIONE M12 FEMALE PANEL 5 POLES BACK MOUNTING PG9 WITH N°5 WIRES PVC 0.34mm ² L=300mm									
HTP High Tech Products								M12	
HTP HIGH TECH PRODUCTS								12FR5B0C-PG9	