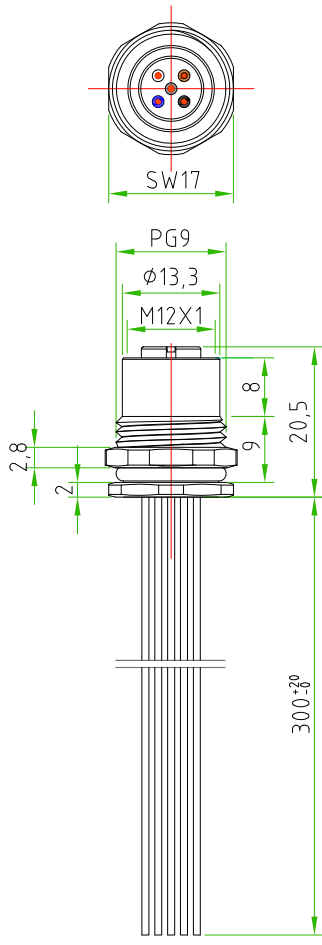


Rev.				
Modify				
Date				
Signed				
Approved				

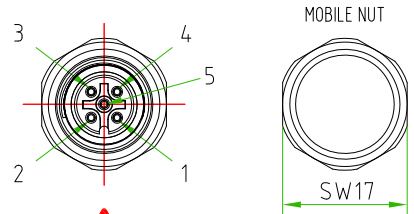
Rev.				
Modify				
Date				
Signed				
Approved				

Rev.				
Modify				
Date				
Signed				
Approved				

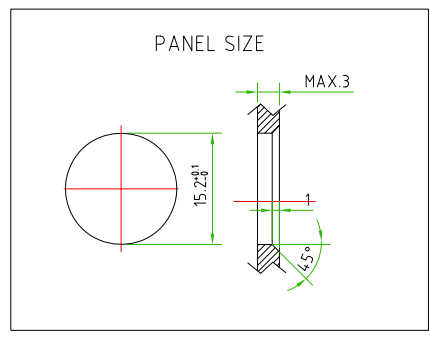


- BROWN ○ ————— C 1
- WHITE ○ ————— C 2
- BLUE ○ ————— C 3
- BLACK ○ ————— C 4
- GREY ○ ————— C 5

CONNECTOR FEATURES	
PRODUCT TYPE	M12 CIRCULAR CONNECTOR TO PANEL WITH WIRES.
TYPE MOUNTING	BACK MOUNTING
CONTACTS TYPE	FEMALE SPOLES
NUMBER OF CONTACTS CONNECTED	N°5
HOUSING MATERIAL	BRASS+NICKEL PLATED
O-RING MATERIAL	NBR
FIXING THREAD	PG9
SIZE FIXED NUT(SW)	SW17
SIZE MOBILE NUT(SW)	SW17
PROTECTION CLASS	IP67
RATED VOLTAGE	60V AC/DC
RATED CURRENT	4A
CONNECTOR WITHOUT ANY LOGO	
WIRES FEATURES	
NUMBER OF CONDUCTORS	N°5
CONDUCTORS SECTION	0,25mm <sup>2</sup>
CONDUCTORS INSULATION MATERIAL	PVC
CONDUCTORS LENGHT	300mm



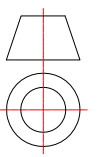
PAY ATTENTION to the position of the polarization key towards the exagonal fixing nut.



CUSTOMER APPROVAL	
SIGNATURE	DATE
PLEASE SIGN AND RETURN	

Designer	CIMMINO L.	Date	2016-07-26	Tolerance	±0.3	Units:	mm	Series	M12	Drawing n. 1-1
Approved	SUGLIANI R.	Date	2016-07-26	Scale	1:1	Size:	A4	Customer code:		

A4



**DESCRIPTION**  
 CIRCULAR CONNECTOR M12,FEMALE,TO PANEL,5POLES,BACK MOUNTING,  
 PG9 THREAD,WITH N°5 WIRES PVC 0,25mm<sup>2</sup> L=300mm .  
 CONNECTOR WITHOUT ANY LOGO

**H.T.P.PART NUMBER**  
 12FR5A0C-PG9