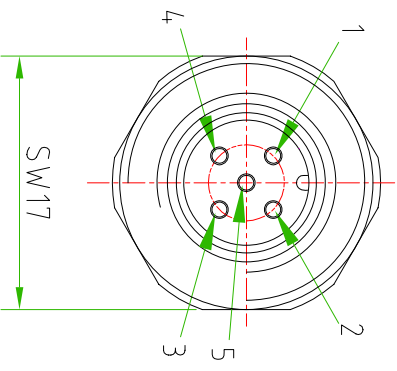
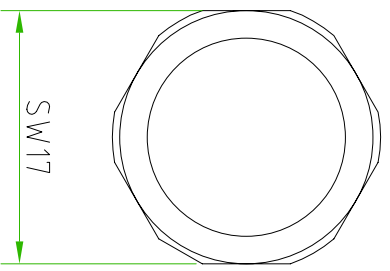


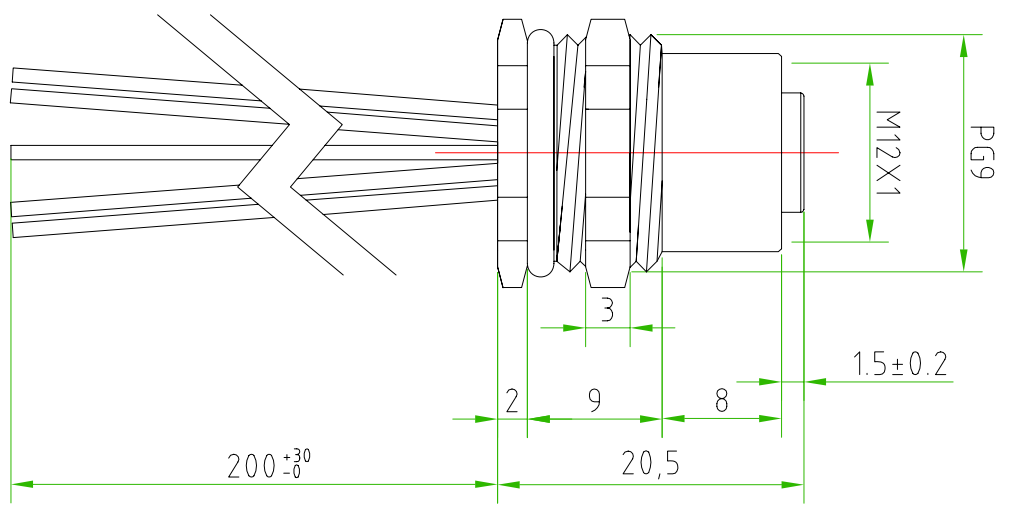
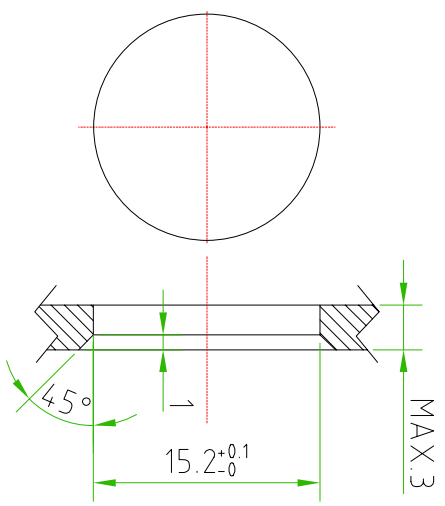
- BROWN ○ — C 1
- WHITE ○ — C 2
- BLUE ○ — C 3
- BLACK ○ — C 4
- GREY ○ — C 5



### FRONTAL VIEW

CONNECTOR FEATURES	
CONNECTOR TYPE	M12 TO PANEL
MOUNTING TYPE	BACK
CONTACT TYPE	FEMALE
NUMBER OF CONTACTS CONNECTED	N°5
HOUSING MATERIAL	Brass+nickel plated (CuZnNi)
FIXING THREAD	PG9
SWITCH FIXED NUT	SW17
CONDUCTOR MATERIAL	PVC
CONDUCTOR LENGHT	200mm
CONDUCTOR SECTION	0.25mm <sup>2</sup>
n°OF CONDUCTORS	5
RATED VOLTAGE	60V AC/DC
RATED CURRENT	4A

### PANEL SIZE



TOLERANZE	DISPOSITORE	DATA	SCALA	DESIGNER
UDM	±0.2 LORENZO CIMMINO	27.08.12	2:1	
DESCRIZIONE	ANGOLO	CONTRULLATO	TIPO	MATERIALE
M12 FEMALE PANEL 5 POLES BACK MOUNTING PG9 WITH N°5 WIRES PVC 0.25mm <sup>2</sup> L=200mm			M12	
			CONF.	
<b>HTP</b> HIGH TECH PRODUCTS				
			12FR5A0B-PG9	