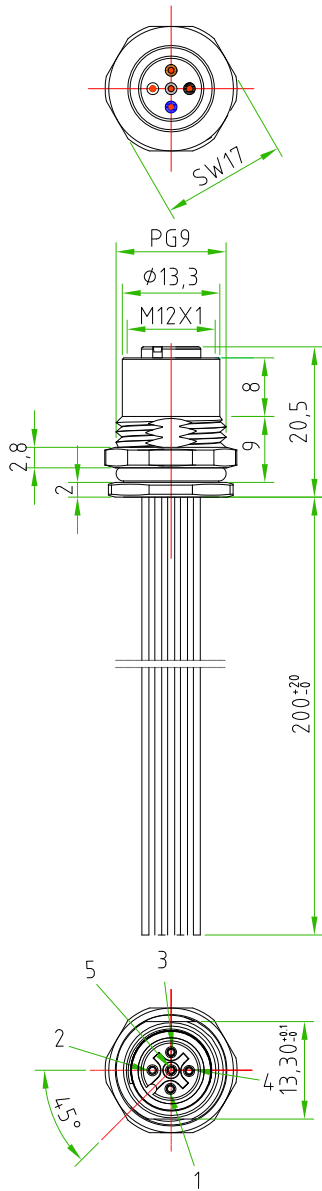


Rev.	Modify	Date	Signed	Approved

Rev.	Modify	Date	Signed	Approved

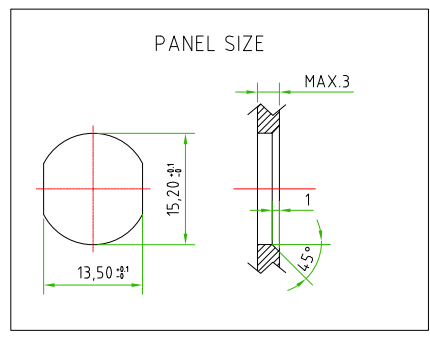
Rev.	Modify	Date	Signed	Approved



- BROWN ○ ○ ○ ○ ○ C 1
- WHITE ○ ○ ○ ○ ○ C 2
- BLUE ○ ○ ○ ○ ○ C 3
- BLACK ○ ○ ○ ○ ○ C 4
- GREY ○ ○ ○ ○ ○ C 5

CONNECTOR FEATURES	
PRODUCT TYPE	M12 CIRCULAR CONNECTOR TO PANEL WITH WIRES.
TYPE MOUNTING	BACK MOUNTING
CONTACTS TYPE	FEMALE SPOLES
NUMBER OF CONTACTS CONNECTED	N°5
HOUSING MATERIAL	BRASS+NICKEL PLATED
O-RING MATERIAL	NBR
FIXING THREAD	PG9
SIZE CUT	13,30mm (+0,1/-0)
SIZE FIXED NUT(SW)	SW17
SIZE MOBILE NUT(SW)	SW17
PROTECTION CLASS	IP67
RATED VOLTAGE	60V AC/DC
RATED CURRENT	4A
CONNECTOR WITHOUT ANY LOGO	
WIRES FEATURES	
NUMBER OF CONDUCTORS	N°5
CONDUCTORS SECTION	0,25mm ²
CONDUCTORS INSULATION MATERIAL	PVC
CONDUCTORS LENGHT	200mm


PAY ATTENTION to the position of the polarization key towards the CUT and the exagonal fixed nut.





CUSTOMER APPROVAL

SIGNATURE	DATE

PLEASE SIGN AND RETURN

Designer	SUGLIANI R.	Date	2016-09-27	Tolerance	±0.3	Units:	mm	Series	M12	Drawing n. 1-1
Approved	CIMMINO L.	Date	2016-09-27	Scale	1:1	Size:	A4	Customer code:		

 	DESCRIPTION	H.T.P.PART NUMBER
	CIRCULAR CONNECTOR M12,FEMALE,TO PANEL,5POLES,BACK MOUNTING, PG9 THREAD, COMPLETE WITH CUT WITH N°5 WIRES PVC 0,25mm ² L=200mm . CONNECTOR WITHOUT ANY LOGO	12FR5A0B-PG9-CUT