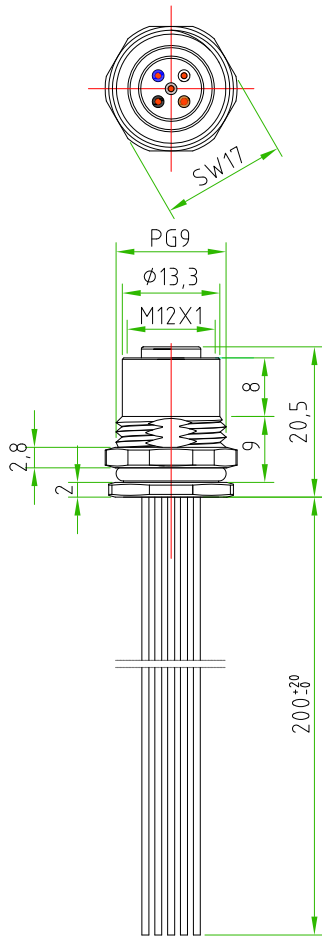


Rev.	01	Modify		Date		Signed		Approved	
Rev.		Modify		Date		Signed		Approved	

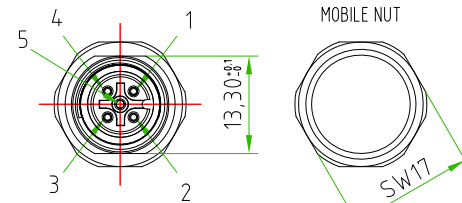
Rev.		Modify		Date		Signed		Approved	
Rev.		Modify		Date		Signed		Approved	

Rev.	01	Modify		Date	2020-03-11	Signed	R.SUGLIANI	Approved	L.CIMMINO
Rev.		Modify		Date		Signed		Approved	



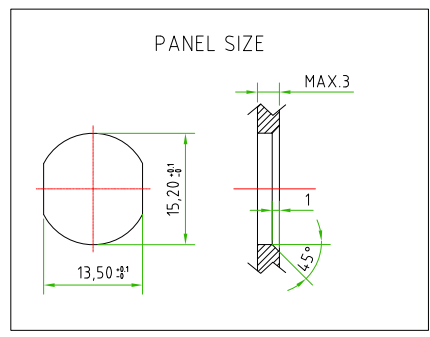
- BROWN ○ ————— C 1
- WHITE ○ ————— C 2
- BLUE ○ ————— C 3
- BLACK ○ ————— C 4
- GREY ○ ————— C 5

CONNECTOR FEATURES	
PRODUCT TYPE	M12 CIRCULAR CONNECTOR TO PANEL WITH WIRES.
TYPE MOUNTING	BACK MOUNTING
CONTACTS TYPE	FEMALE SPOLES
NUMBER OF CONTACTS CONNECTED	N°5
HOUSING MATERIAL	BRASS+NICKEL PLATED
O-RING MATERIAL	NBR
FIXING THREAD	PG9
SIZE CUT	13,30mm (+0,1/-0)
SIZE FIXED NUT(SW)	SW17
SIZE MOBILE NUT(SW)	SW17
PROTECTION CLASS	IP67
RATED VOLTAGE	60V AC/DC
RATED CURRENT	4A
CONNECTOR WITHOUT ANY LOGO	
WIRES FEATURES	
NUMBER OF CONDUCTORS	N°5
CONDUCTORS SECTION	0,25mm ²
CONDUCTORS INSULATION MATERIAL	PVC
CONDUCTORS LENGHT	200mm



PAY ATTENTION to the position of the polarization key towards the hexagonal fixed nut. The polarization key must be 180° in reference to the CUT of the thread

PAY ATTENTION: EACH FEMALE CONTACT MUST BE CHECKED TWICE USING THE CALIBRATED TOOL ($\varnothing 0,97\text{mm}^{+0,003}$) BEFORE AND AFTER THE INSERTION INTO THE CONNECTOR



CUSTOMER APPROVAL	
SIGNATURE	DATE
PLEASE SIGN AND RETURN	

Designer	SUGLIANI R.	Date	2016-07-29	Tolerance	±0.3	Units:	mm	Series	M12	Drawing n. 1-1
Approved	CIMMINO L.	Date	2016-07-29	Scale	1:1	Size:	A4	Customer code:		

	DESCRIPTION	H.T.P.PART NUMBER
	CIRCULAR CONNECTOR M12,FEMALE,TO PANEL,5POLES,BACK MOUNTING, PG9 THREAD, COMPLETE WITH CUT(POLARIZATION KEY OF THE CONNECTOR MUST BE POSITIONED 180° TOWARDS THE CUT), WITH N°5 WIRES PVC 0,25mm ² L=200mm . CONNECTOR WITHOUT ANY LOGO	12FR5A0B-PG9-CUT-180