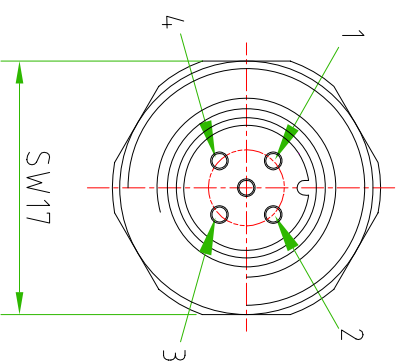
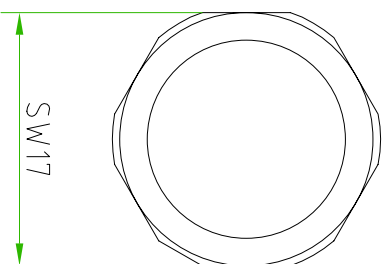
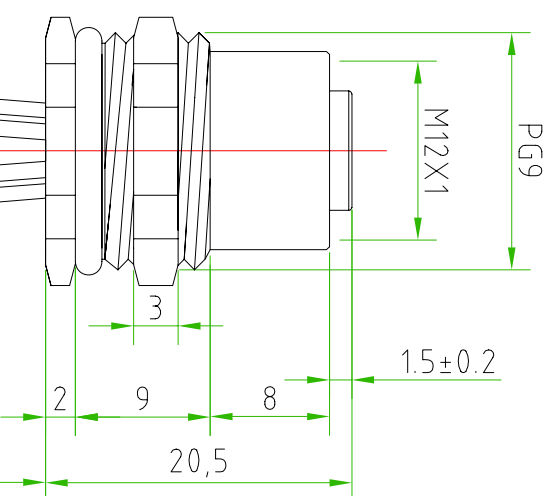


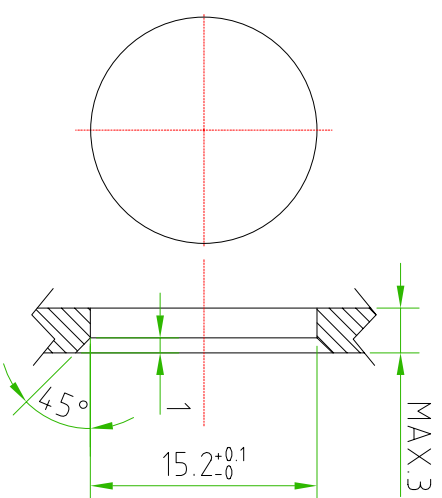
- BROWN ○ — C 1
- WHITE ○ — C 2
- BLUE ○ — C 3
- BLACK ○ — C 4



FRONTAL VIEW



PANEL SIZE




CONNECTOR FEATURES

CONNECTOR TYPE	M12 TO PANEL
MOUNTING TYPE	BACK
CONTACT TYPE	FEMALE
NUMBER OF CONTACTS CONNECTED	n°4
HOUSING MATERIAL	Brass+nickel plated (CuZnNi)
FIXING THREAD	PG9
SWITCH FIXED NUT	SW17
CONDUCTOR MATERIAL	PVC
CONDUCTOR LENGHT	300mm
CONDUCTOR SECTION	0.25mm ²
n°OF CONDUCTORS	4
RATED VOLTAGE	250V AC/DC
RATED CURRENT	4A

TOLERANZE	±0.2	DISGIANTORE	DATA	SCALA	DESIGNA. N.
UDM	ANGOLO	CONTRULLATO	05.03.13	2:1	

DESCRIZIONE
M12 FEMALE PANEL 4 POLES BACK MOUNTING PG9 WITH
N°4 WIRES PVC 0.25mm² L=300mm


HTP High Tech Products
 H.T.P.
 HIGH TECH PRODUCTS
 CONF. 12FR4A0C-PG9