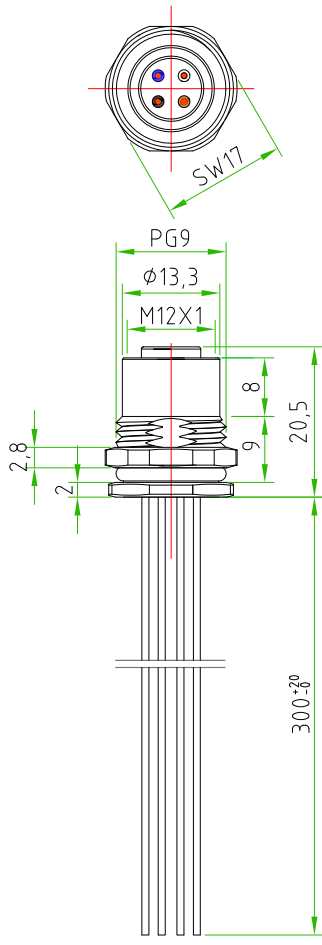


Rev.	Modify	Date	Signed	Approved

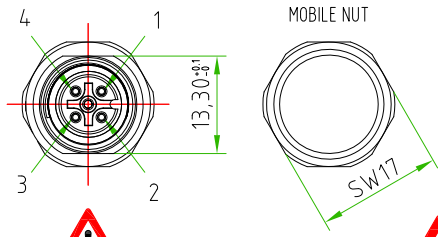
Rev.	Modify	Date	Signed	Approved

Rev.	Modify	Date	Signed	Approved
01	-	2020-03-11	R.SUGLIANI	L.CIMMINO



- BROWN ○ ○ ○ ○ C 1
- WHITE ○ ○ ○ ○ C 2
- BLUE ○ ○ ○ ○ C 3
- BLACK ○ ○ ○ ○ C 4

CONNECTOR FEATURES	
PRODUCT TYPE	M12 CIRCULAR CONNECTOR TO PANEL WITH WIRES.
TYPE MOUNTING	BACK MOUNTING
CONTACTS TYPE	FEMALE 4POLES
NUMBER OF CONTACTS CONNECTED	N°4
HOUSING MATERIAL	BRASS+NICKEL PLATED
O-RING MATERIAL	NBR
FIXING THREAD	PG9
SIZE CUT	13,30mm (+0,1/-0)
SIZE FIXED NUT(SW)	SW17
SIZE MOBILE NUT(SW)	SW17
PROTECTION CLASS	IP67
RATED VOLTAGE	250V AC/DC
RATED CURRENT	4A
CONNECTOR WITHOUT ANY LOGO	
WIRES FEATURES	
NUMBER OF CONDUCTORS	N°4
CONDUCTORS SECTION	0,25mm ²
CONDUCTORS INSULATION MATERIAL	PVC
CONDUCTORS LENGTH	300mm

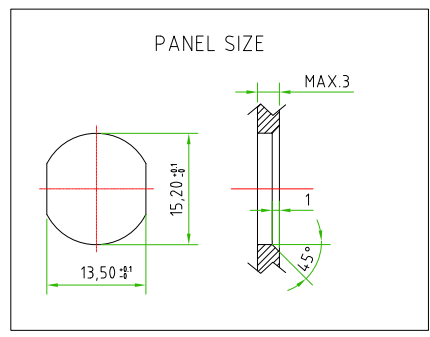


REV.01

PAY ATTENTION to the position of the polarization key towards the hexagonal fixed nut. The polarization key must be 180° in reference to the CUT of the thread

REV.01

PAY ATTENTION: EACH FEMALE CONTACT MUST BE CHECKED TWICE USING THE CALIBRATED TOOL ($\varnothing 0,97mm_{-0,03}^0$) BEFORE AND AFTER THE INSERTION INTO THE CONNECTOR



CUSTOMER APPROVAL	
SIGNATURE	DATE
PLEASE SIGN AND RETURN	

Designer	CIMMINO L.	Date	2019-02-22	Tolerance	±0.3	Units:	mm	Series	M12	Drawing n.
Approved	SUGLIANI R.	Date	2019-02-22	Scale	1:1	Size:	A4	Customer code:		

	DESCRIPTION	H.T.P.PART NUMBER
	CIRCULAR CONNECTOR M12,FEMALE,TO PANEL,4POLES,BACK MOUNTING, PG9 THREAD, COMPLETE WITH CUT(POLARIZATION KEY OF THE CONNECTOR MUST BE POSITIONED 180° TOWARDS THE CUT), WITH N°4 WIRES PVC 0,25mm ² L=300mm . CONNECTOR WITHOUT ANY LOGO	12FR4A0C-PG9-CUT-180