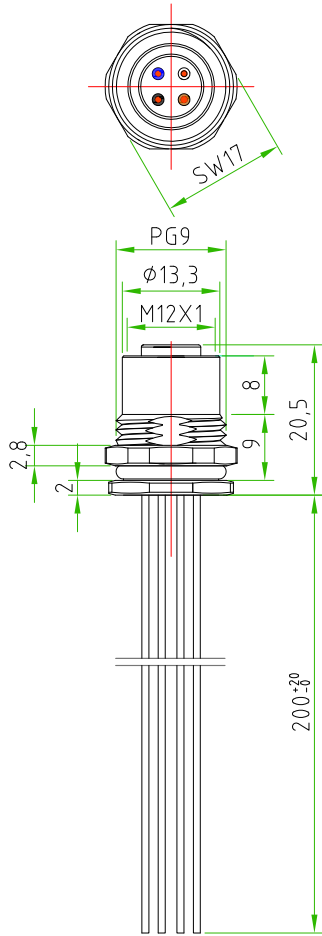


Rev.	01	Modify	-	Date	2020-03-11	Signed	R.SUGLIANI	Approved	L.CIMMINO
Rev.		Modify		Date		Signed		Approved	
Rev.		Modify		Date		Signed		Approved	

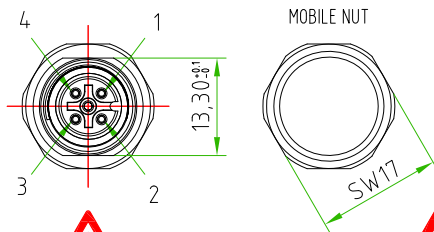
Rev.		Modify		Date		Signed		Approved	
Rev.		Modify		Date		Signed		Approved	
Rev.		Modify		Date		Signed		Approved	

Rev.	01	Modify	-	Date	2020-03-11	Signed	R.SUGLIANI	Approved	L.CIMMINO
Rev.		Modify		Date		Signed		Approved	
Rev.		Modify		Date		Signed		Approved	



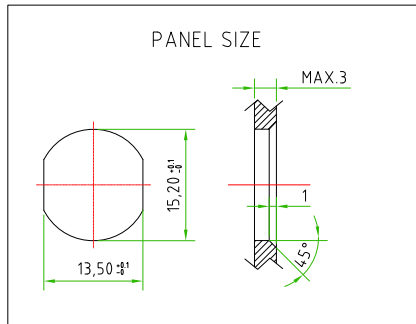
- BROWN ○ ○ ○ ○ C 1
- WHITE ○ ○ ○ ○ C 2
- BLUE ○ ○ ○ ○ C 3
- BLACK ○ ○ ○ ○ C 4

CONNECTOR FEATURES	
PRODUCT TYPE	M12 CIRCULAR CONNECTOR TO PANEL WITH WIRES.
TYPE MOUNTING	BACK MOUNTING
CONTACTS TYPE	FEMALE 4POLES
NUMBER OF CONTACTS CONNECTED	N°4
HOUSING MATERIAL	BRASS+NICKEL PLATED
O-RING MATERIAL	NBR
FIXING THREAD	PG9
SIZE CUT	13,30mm (+0,1/-0)
SIZE FIXED NUT(SW)	SW17
SIZE MOBILE NUT(SW)	SW17
PROTECTION CLASS	IP67
RATED VOLTAGE	250V AC/DC
RATED CURRENT	4A
CONNECTOR WITHOUT ANY LOGO	
WIRES FEATURES	
NUMBER OF CONDUCTORS	N°4
CONDUCTORS SECTION	0,25mm ²
CONDUCTORS INSULATION MATERIAL	PVC
CONDUCTORS LENGTH	200mm



PAY ATTENTION to the position of the polarization key towards the hexagonal fixed nut. The polarization key must be 180° in reference to the CUT of the thread

PAY ATTENTION: EACH FEMALE CONTACT MUST BE CHECKED TWICE USING THE CALIBRATED TOOL ($\varnothing 0,97\text{mm}^{+0,03}$) BEFORE AND AFTER THE INSERTION INTO THE CONNECTOR



CUSTOMER APPROVAL	
SIGNATURE	DATE
PLEASE SIGN AND RETURN	

Designer	SUGLIANI R.	Date	2016-07-29	Tolerance	±0.3	Units:	mm	Series	M12	Drawing n. 1-1
Approved	CIMMINO L.	Date	2016-07-29	Scale	1:1	Size:	A4	Customer code:		

DESCRIPTION

CIRCULAR CONNECTOR M12,FEMALE,TO PANEL,4POLES,BACK MOUNTING, PG9 THREAD, COMPLETE WITH CUT(POLARIZATION KEY OF THE CONNECTOR MUST BE POSITIONED 180° TOWARDS THE CUT), WITH N°4 WIRES PVC 0,25mm² L=200mm . CONNECTOR WITHOUT ANY LOGO

H.T.P.PART NUMBER

12FR4A0B-PG9-CUT-180

A4

