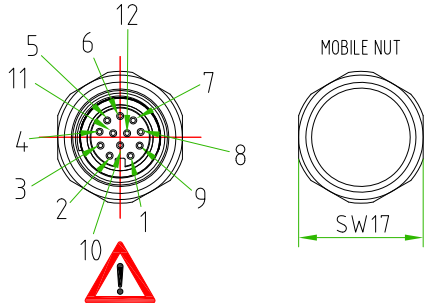
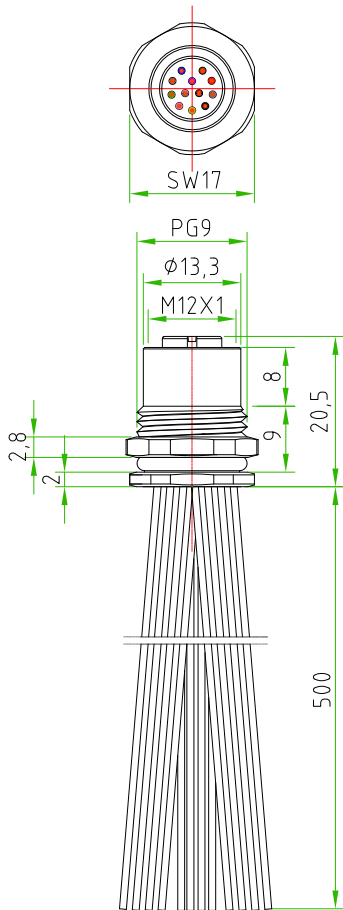


Rev.	Modify	Date	Signed	Approved

Rev.	Modify	Date	Signed	Approved

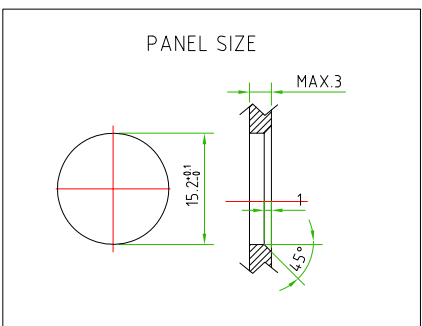
Rev.	Modify	Date	Signed	Approved



PAY ATTENTION to the position of the polarization key towards the exagonal fixing nut.

- BROWN ○ ———— C 1
- BLUE ○ ———— C 2
- WHITE ○ ———— C 3
- GREEN ○ ———— C 4
- PINK ○ ———— C 5
- YELLOW ○ ———— C 6
- BLACK ○ ———— C 7
- GREY ○ ———— C 8
- RED ○ ———— C 9
- PURPLE ○ ———— C 10
- GREY/PINK ○ ———— C 11
- RED/BLUE ○ ———— C 12

CONNECTOR FEATURES	PRODUCT TYPE	M12 CIRCULAR CONNECTOR TO PANEL WITH WIRES.
	TYPE MOUNTING	BACK MOUNTING
	CONTACTS TYPE	FEMALE SPOLES
	NUMBER OF CONTACTS CONNECTED	N°12
	HOUSING MATERIAL	BRASS+NICKEL PLATED
	O-RING MATERIAL	NBR
	FIXING THREAD	PG9
	SIZE FIXED NUT(SW)	SW17
	SIZE MOBILE NUT(SW)	SW17
	PROTECTION CLASS	IP67
WIRES FEATURES	RATED VOLTAGE	30V AC/DC
	RATED CURRENT	1.5A
	CONNECTOR WITHOUT ANY LOGO	
	NUMBER OF CONDUCTORS	N°12
	CONDUCTORS SECTION	0,14mm ²
CONDUCTORS INSULATION MATERIAL	PVC	
CONDUCTORS LENGHT	500mm	



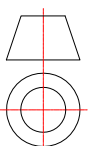
CUSTOMER APPROVAL

<i>SIGNATURE</i>	<i>DATE</i>

PLEASE SIGN AND RETURN

Designer	CIMMINO L.	Date	2017-12-18	Tolerance	±0.3	Units:	mm	Series	M12	Drawing n.	1-1
Approved	SUGLIANI R.	Date	2017-12-18	Scale	1:1	Size:	A4	Customer code:			

A4



DESCRIPTION
 CIRCULAR CONNECTOR M12,FEMALE,TO PANEL,12POLES,BACK MOUNTING, PG9 THREAD,WITH N°12 WIRES PVC 0,14mm² L=500mm . CONNECTOR WITHOUT ANY LOGO

H.T.P.PART NUMBER
 12FR12K0E-PG9