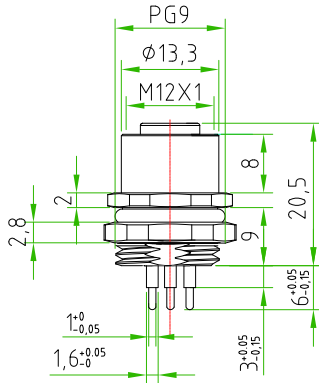
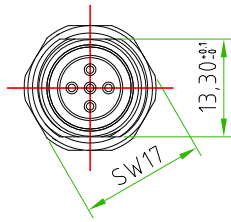


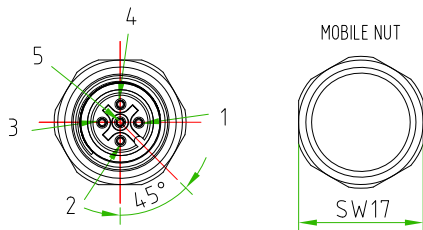
Rev.					
Modify					
Date					
Signed					
Approved					

Rev.					
Modify					
Date					
Signed					
Approved					

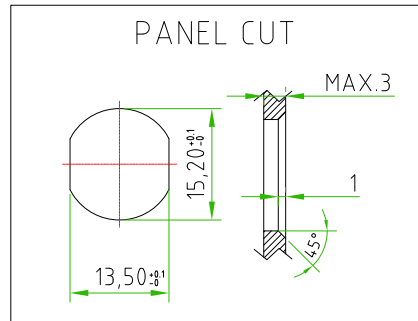
Rev.					
Modify					
Date					
Signed					
Approved					



CONNECTOR FEATURES	PRODUCT TYPE	M12 CIRCULAR CONNECTOR TO PANEL WITH CONTACTS SUITABLE FOR PCB
	TYPE MOUNTING	FRONTAL MOUNTING
	CONTACTS TYPE	FEMALE 5POLES
	NUMBER OF CONTACTS CONNECTED	N°5
	HOUSING MATERIAL	BRASS+NICKEL PLATED
	O-RING MATERIAL	NBR
	FIXING THREAD	PG9
	SIZE CUT	13,30mm (+0,1/-0)
	SIZE FIXED NUT(SW)	SW17
	SIZE MOBILE NUT(SW)	SW17
	PROTECTION CLASS	IP67
	RATED VOLTAGE	250V AC/DC
	RATED CURRENT	4A
CONNECTOR WITHOUT ANY LOGO		



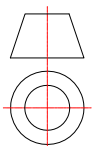
PAY ATTENTION to the position of the polarization key towards the exagonal fixing nut.



CUSTOMER APPROVAL	
SIGNATURE	DATE
PLEASE SIGN AND RETURN	

A4

Designer	SUGLIANI R.	Date	2020-10-13	Tolerance	±0.3	Units:	mm	Series	M12	Drawing n. 1-1
Approved	CIMMINO L.	Date	2020-10-13	Scale	1:1	Size:	A4	Customer code:		



DESCRIPTION

CIRCULAR CONNECTOR M12,FEMALE,TO PANEL,5POLES,FRONTAL MOUNTING,PG9 THREAD, COMPLETE WITH CUT,WITH CONTACTS SUITABLE TO BE SOLDERED ON PCB. CONNECTOR WITHOUT ANY LOGO

H.T.P.PART NUMBER

12FQ5000-PG9-CUT