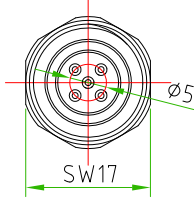
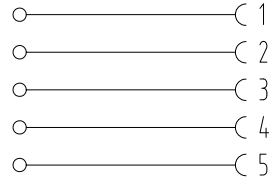


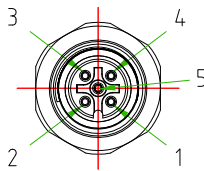
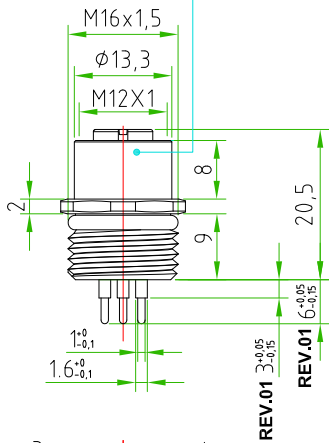
Rev.	Modify	Date	Signed	Approved

Rev.	Modify	Date	Signed	Approved

Rev.	Modify	Date	Signed	Approved
01	-	2018.10.22	SUGLIANI CIMMINO	



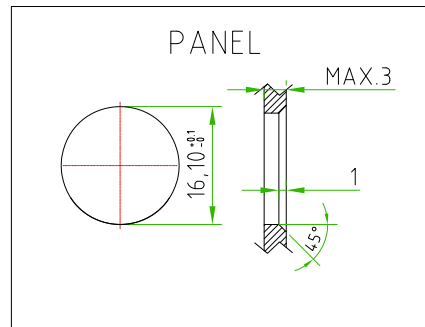
HOUSING MATERIAL:
STAINLESS STEEL AISI316L



PAY ATTENTION to the position of the polarization key towards the exagonal fixing nut.

CONNECTOR FEATURES	PRODUCT TYPE	M12 CIRCULAR CONNECTOR TO PANEL WITH SOLDER CONTACTS FOR PCB
	TYPE MOUNTING	FRONTAL MOUNTING
	CONTACTS TYPE	FEMALE 4POLES
	NUMBER OF CONTACTS CONNECTED	N°4
	HOUSING MATERIAL	STAINLESS STEEL AISI316L
	O-RING MATERIAL	NBR
	FIXING THREAD	M16x1,5
	SIZE FIXED NUT(SW)	SW17
	SIZE MOBILE NUT(SW)	WITHOUT MOBILE NUT
	PROTECTION CLASS	IP67
	RATED VOLTAGE	250V AC/DC
	RATED CURRENT	4A
	CONNECTOR WITHOUT ANY LOGO	

! WN: MEANS WITHOUT MOBILE NUT.
IN316: STAINLESS STEEL AISI316L HOUSING.



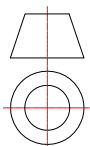
CUSTOMER APPROVAL

SIGNATURE DATE

PLEASE SIGN AND RETURN

Designer	CIMMINO L.	Date	2018-10-17	Tolerance	±0.3	Units:	mm	Series	M12	Drawing n. 1-1
Approved	SUGLIANI R.	Date	2018-10-17	Scale	1:1	Size:	A4	Customer code:		

A4



DESCRIPTION

CIRCULAR CONNECTOR M12,FEMALE, TO PANEL,5POLES,FRONTAL MOUNTING, PG9 THREAD,WITH CONTACTS SUITABLE TO BE SOLDERED ON PCB. CONNECTOR WITHOUT NUT. CONNECTOR WITHOUT ANY LOGO

H.T.P.PART NUMBER

12FQ5000-M16WN-IN316