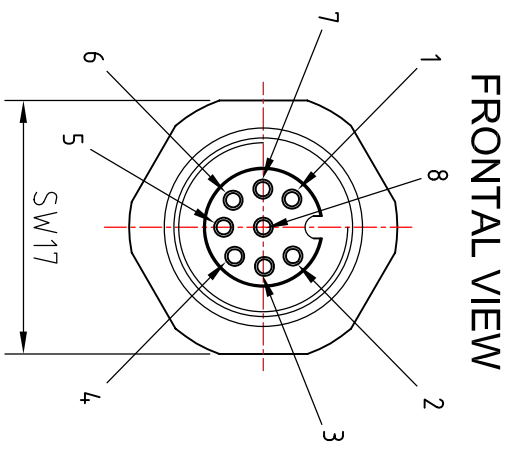
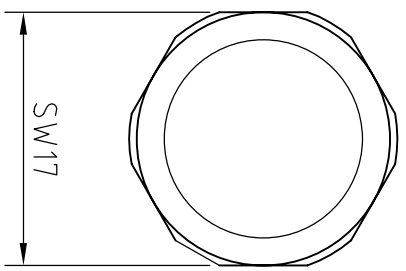
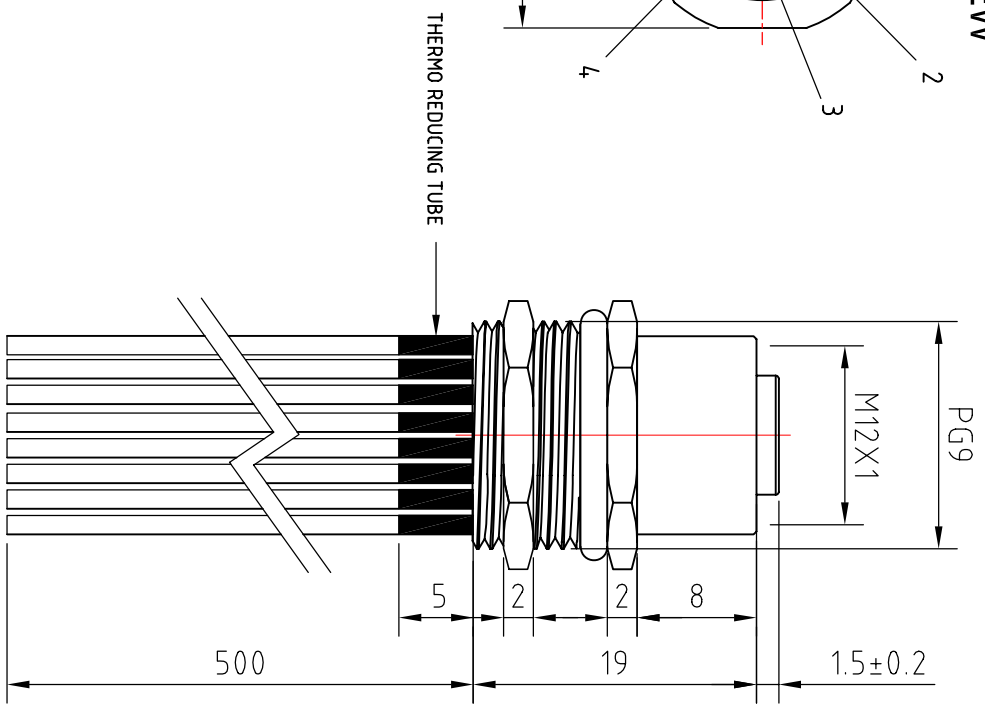


- WHITE C 1
- BROWN C 2
- GREEN C 3
- YELLOW C 4
- GREY C 5
- PINK C 6
- BLUE C 7
- RED C 8



FRONTAL VIEW



CONNECTOR FEATURES	
CONNECTOR TYPE	M12 TO PANEL
MOUNTING TYPE	FRONTAL
CONTACT TYPE	FEMALE
NUMBER OF CONTACTS CONNECTED	n°8
HOUSING MATERIAL	METAL (CuZn/Ni)
THREAD	PG9
SWITCH FIXED NUT	SW17
CONDUCTOR MATERIAL	PVC
CONDUCTOR LENGHT	500mm
CONDUCTOR SECTION	0,25mm ²
n°OF CONDUCTORS	8
THERMO REDUCING TUBE	L=5mm±1

TOLLERANZE	±0,2	DESIGNATORE	DATA	SCALE	DESIGNO N.
UANI	ANGOLI	LORENZO CERINO CONTROLLATO	20.11.09	2:1	
DESCRIZIONE		M12 FEMALE PANEL 8 POLES FRONTAL MOUNTING		TR0	MATERIALE
		PG9 WITH N°8 WIRES 0,25mm ² L=500mm			
			H.T.P.		CODE
HIGH TECH PRODUCTS					12FP8A0E-PG9