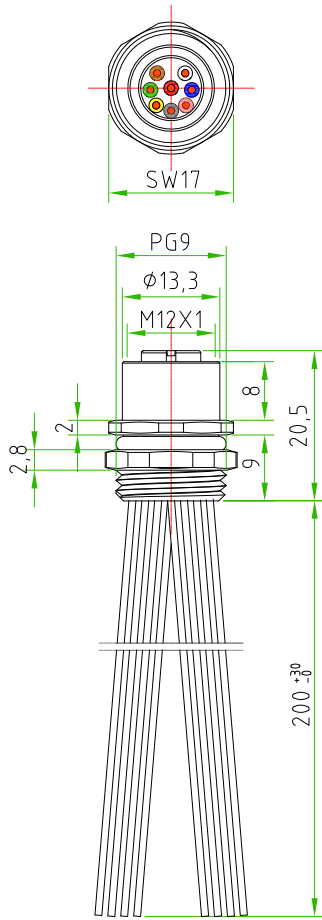


Rev.	Modify	Date	Signed	Approved

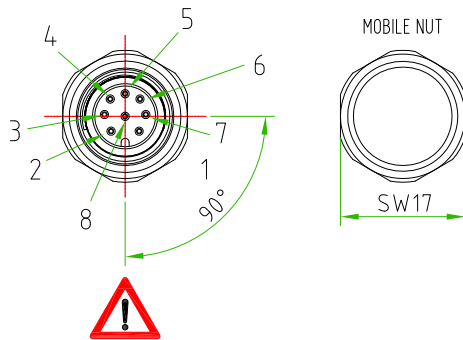
Rev.	Modify	Date	Signed	Approved

Rev.	Modify	Date	Signed	Approved

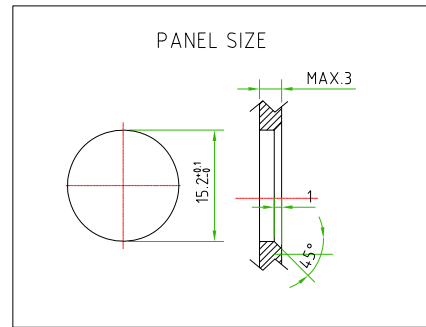
- WHITE ○ ————— C 1
- BROWN ○ ————— C 2
- GREEN ○ ————— C 3
- YELLOW ○ ————— C 4
- GREY ○ ————— C 5
- PINK ○ ————— C 6
- BLUE ○ ————— C 7
- RED ○ ————— C 8



CONNECTOR FEATURES	
PRODUCT TYPE	M12 CIRCULAR CONNECTOR TO PANEL WITH WIRES.
TYPE MOUNTING	FRONTAL MOUNTING
CONTACTS TYPE	FEMALE 8POLES
NUMBER OF CONTACTS CONNECTED	N°8
HOUSING MATERIAL	BRASS+NICKEL PLATED
O-RING MATERIAL	NBR
FIXING THREAD	PG9
SIZE FIXED NUT(SW)	SW17
SIZE MOBILE NUT(SW)	SW17
PROTECTION CLASS	IP67
RATED VOLTAGE	30V AC/DC
RATED CURRENT	2A
CONNECTOR WITHOUT ANY LOGO	
WIRES FEATURES	
NUMBER OF CONDUCTORS	N°8
CONDUCTORS SECTION	0,25mm ²
CONDUCTORS INSULATION MATERIAL	PVC
CONDUCTORS LENGHT	200mm



!
PAY ATTENTION to the position of the polarization key towards the exagonal fixing nut.



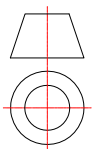
CUSTOMER APPROVAL

SIGNATURE DATE

PLEASE SIGN AND RETURN

A4

Designer	SUGLIANI R.	Date	2016-08-02	Tolerance	±0.3	Units:	mm	Series	M12	Drawing n. 1-1
Approved	CIMMINO L.	Date	2016-08-02	Scale	1:1	Size:	A4	Customer code:		



DESCRIPTION

CIRCULAR CONNECTOR M12,FEMALE,TO PANEL,8POLES,FRONTAL MOUNTING, PG9 THREAD,WITH N°8 WIRES PVC 0,25mm² L=200mm
CONNECTOR WITHOUT ANY LOGO

H.T.P.PART NUMBER

12FP8A0B-PG9