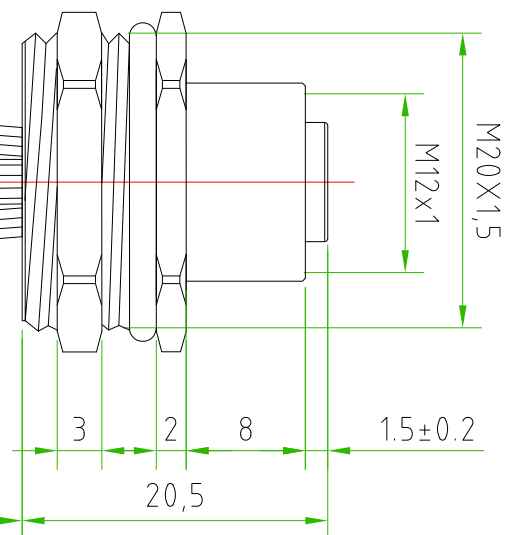
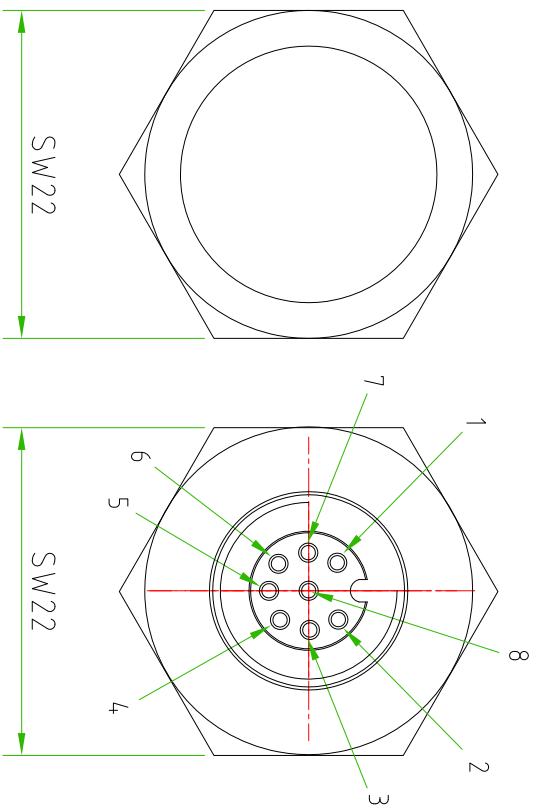
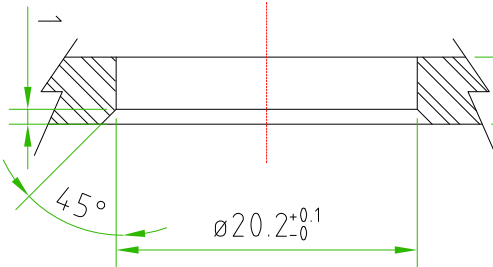
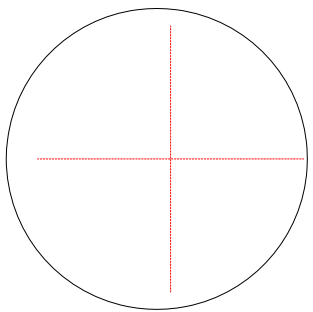


- WHITE ○ C 1
- BROWN ○ C 2
- GREEN ○ C 3
- YELLOW ○ C 4
- GREY ○ C 5
- PINK ○ C 6
- BLUE ○ C 7
- RED ○ C 8



PANEL SIZE

MAX 4,5



CONNECTOR FEATURES

CONNECTOR TYPE	M12 TO PANEL
MOUNTING TYPE	FRONTAL
CONTACT TYPE	FEMALE
NUMBER OF CONTACTS CONNECTED	n°8
HOUSING MATERIAL	Brass+nickel plated (CuZnNi)
FIXING THREAD	M20X1,5
SWITCH FIXED NUT	SW22
CONDUCTOR MATERIAL	PVC
CONDUCTOR LENGHT	200mm
CONDUCTOR SECTION	0.25mm ²
n°OF CONDUCTORS	n°8
RATED VOLTAGE	30V AC/DC
RATED CURRENT	2A
CONNECTOR WITHOUT H.T.P. LOGO	

TOLLERANZE	±0,2	DISIGNATORE	DATA	SCALA	DESIGN N
UDM	ANGOLID	LORENZO CHINNO	27.01.14	2:1	
		CONTROLLATO			

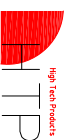
DESCRIZIONE M12 FEMALE PANEL 8 POLES FRONTAL MOUNTING
M20X1,5 WITH N 8 WIRES 0.25mm² L=200mm
CONNECTOR WITHOUT H.T.P. LOGO

TR99

M12

MATERIALE

High Tech Products



H.T.P.
HIGH TECH PRODUCTS

CODE
12FFP8A0B-M20