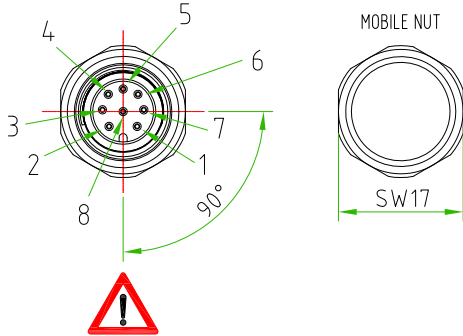
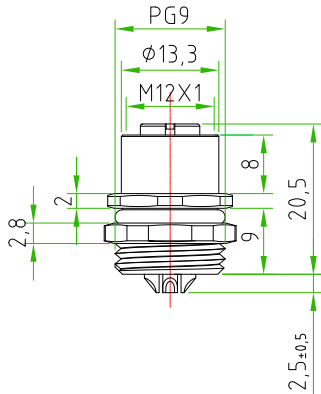
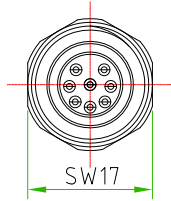
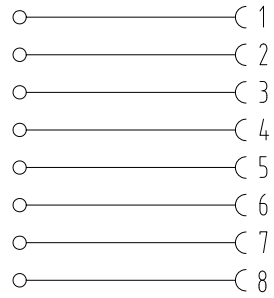


Rev.	Modify	Date	Signed	Approved

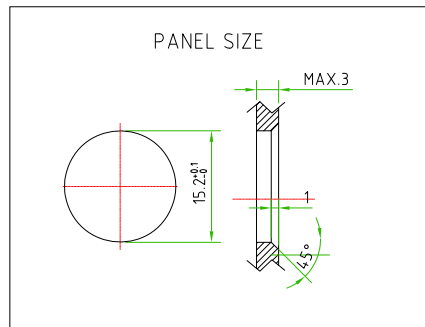
Rev.	Modify	Date	Signed	Approved

Rev.	Modify	Date	Signed	Approved



PAY ATTENTION to the position of the polarization key towards the exagonal fixing nut.

CONNECTOR FEATURES	PRODUCT TYPE	M12 CIRCULAR CONNECTOR TO PANEL WITH CONTACTS FOR SOLDER WIRES.
	TYPE MOUNTING	FRONTAL MOUNTING
	CONTACTS TYPE	FEMALE 8POLES
	NUMBER OF CONTACTS CONNECTED	N°8
	HOUSING MATERIAL	BRASS+NICKEL PLATED
	O-RING MATERIAL	NBR
	FIXING THREAD	PG9
	SIZE FIXED NUT(SW)	SW17
	SIZE MOBILE NUT(SW)	SW17
	PROTECTION CLASS	IP67
RATED VOLTAGE	30V AC/DC	
RATED CURRENT	2A	
CONNECTOR WITHOUT ANY LOGO		



CUSTOMER APPROVAL

SIGNATURE	DATE

PLEASE SIGN AND RETURN

Designer	SUGLIANI R.	Date	2016-11-14	Tolerance	±0.3	Units:	mm	Series	M12	Drawing n.
Approved	CIMMINO L.	Date	2016-11-14	Scale	1:1	Size:	A4	Customer code:		

DESCRIPTION
CIRCULAR CONNECTOR M12,FEMALE,TO PANEL,8POLES,FRONTAL MOUNTING, PG9 THREAD,WITH CONTACTS FOR SOLDER WIRES. CONNECTOR WITHOUT ANY LOGO

H.T.P.PART NUMBER
12FP8000-PG9



A4

