



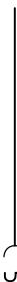
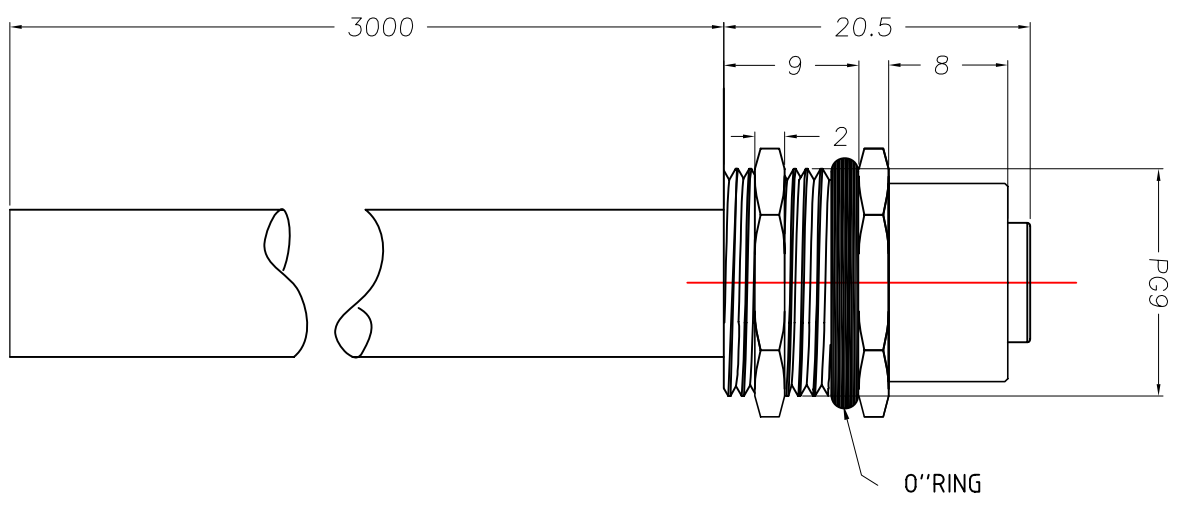
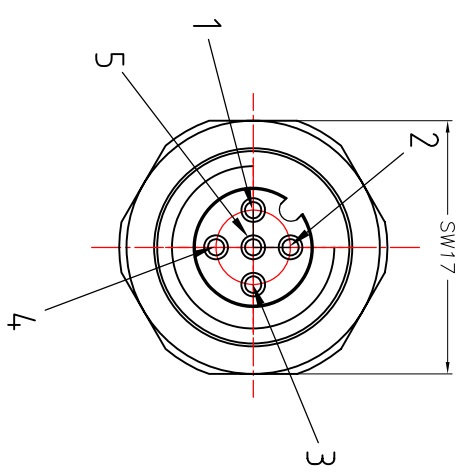

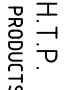


- BROWN 
- WHITE 
- BLUE 
- BLACK 
- GREY 



CONNECTOR FEATURES		CABLE FEATURES	
TYPE CONTACT	FEMALE SPOLES	CONDUCTOR SECTION	0.34mm ²
CABLE LENGHT	3000mm	CABLE MATERIAL	PVC CEI2022 II
STRIPPING	NO	COATING COLOUR	BLACK
PEELING	NO	CONDUCTOR INSULATION MATERIAL	PVC
NUMBER OF CONTACTS CONNECTED	N°5	"CO" MEANS THAT THE CONNECTOR MUST HAVE THE COATING!!	
HOUSING MATERIAL	METAL (CuZn/Ni)		
THREAD	PG9		
H.T.P. CABLE CODE	B		
NUMBER OF CONDUCTORS	n°5		

TOLERANCE		DESIGNATORE		DATA		SCALE		DESIGN IN	
TAH	ANGOLO	LORENZO CIMMINO		02.09.09		2:1			
DESCRIZIONE		CONTROLLO		TPO		M12		MATERIALE	
M12 FEMALE PANEL 5 POLES FRONTAL MOUNTING PG9 WITH CABLE PVC/PVC/CEI2022IIOR.BLACK 5X0.34mm ² L=3000mm									
 HTP HIGH TECH PRODUCTS		 HTP		H.T.P.		CODE		12FPP5B3Z-PG9-CO	