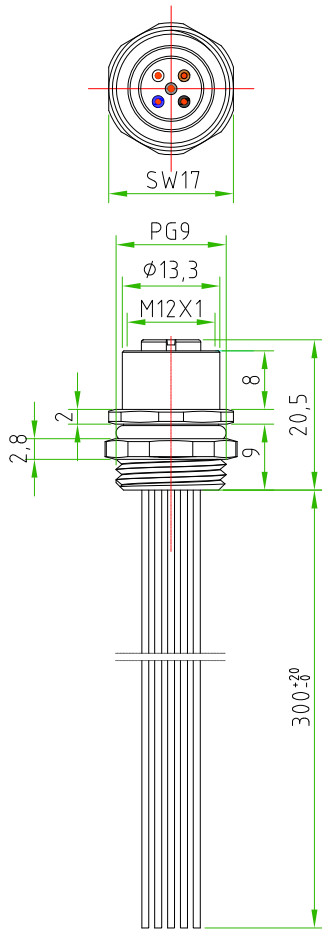


Rev.	Modify	Date	Signed	Approved

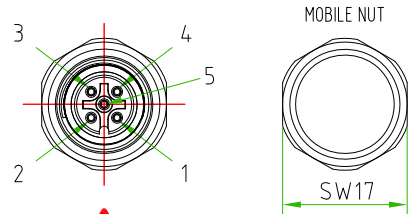
Rev.	Modify	Date	Signed	Approved

Rev.	Modify	Date	Signed	Approved

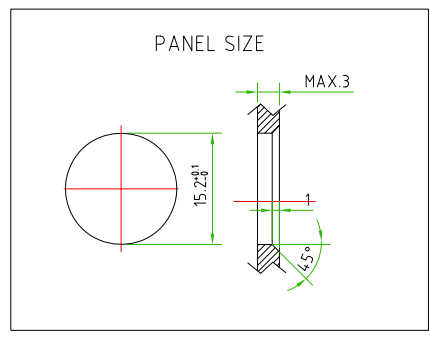


- BROWN ○ ————— C 1
- WHITE ○ ————— C 2
- BLUE ○ ————— C 3
- BLACK ○ ————— C 4
- GREY ○ ————— C 5

CONNECTOR FEATURES	
PRODUCT TYPE	M12 CIRCULAR CONNECTOR TO PANEL WITH WIRES.
TYPE MOUNTING	FRONTAL MOUNTING
CONTACTS TYPE	FEMALE SPOLES
NUMBER OF CONTACTS CONNECTED	N°5
HOUSING MATERIAL	BRASS+NICKEL PLATED
O-RING MATERIAL	NBR
FIXING THREAD	PG9
SIZE FIXED NUT(SW)	SW17
SIZE MOBILE NUT(SW)	SW17
PROTECTION CLASS	IP67
RATED VOLTAGE	60V AC/DC
RATED CURRENT	4A
CONNECTOR WITHOUT ANY LOGO	
WIRES FEATURES	
NUMBER OF CONDUCTORS	N°5
CONDUCTORS SECTION	0,34mm ²
CONDUCTORS INSULATION MATERIAL	PVC
CONDUCTORS LENGHT	300mm



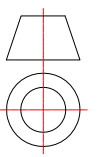
PAY ATTENTION to the position of the polarization key towards the exagonal fixing nut.



CUSTOMER APPROVAL	
SIGNATURE	DATE
PLEASE SIGN AND RETURN	

Designer	CIMMINO L.	Date	2016-07-28	Tolerance	±0.3	Units:	mm	Series	M12	Drawing n. 1-1
Approved	SUGLIANI R.	Date	2016-07-28	Scale	1:1	Size:	A4	Customer code:		

A4



DESCRIPTION
 CIRCULAR CONNECTOR M12,FEMALE,TO PANEL,5POLES,FRONTAL MOUNTING,
 PG9 THREAD,WITH N°5 WIRES PVC 0,34mm² L=300mm .
 CONNECTOR WITHOUT ANY LOGO

H.T.P.PART NUMBER
 12FP5B0C-PG9