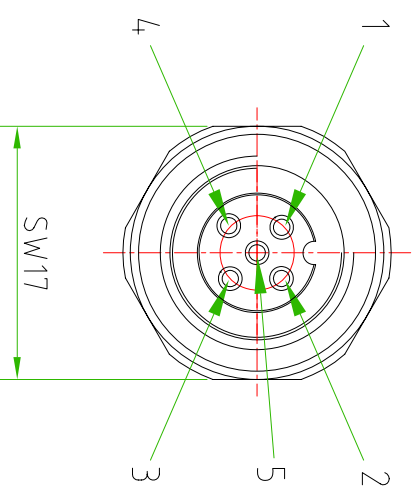
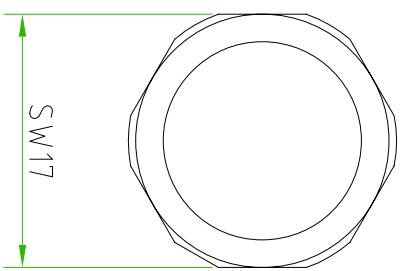
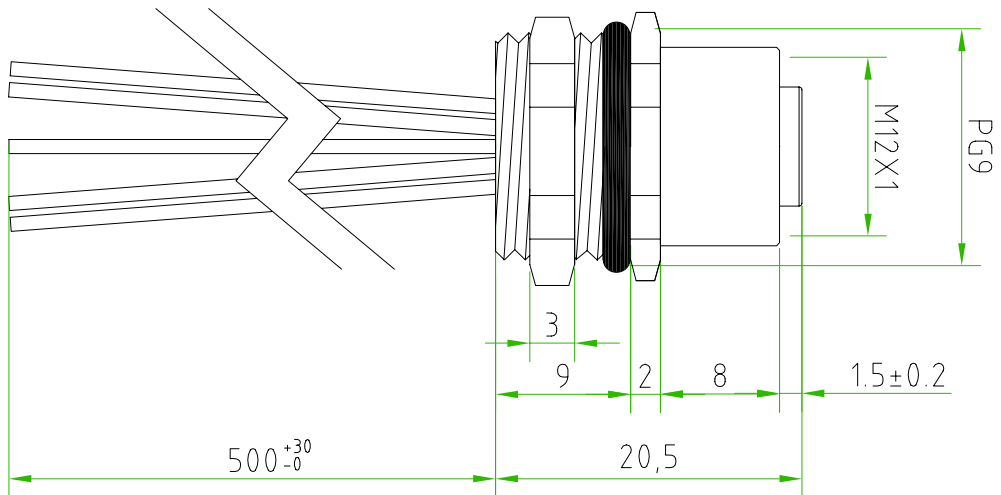


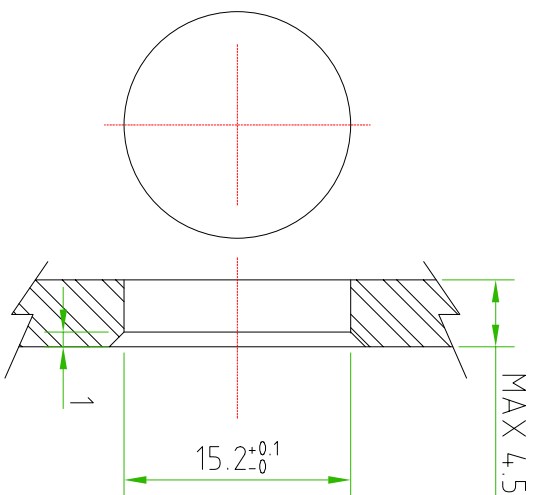
- BROWN ○ — C 1
- WHITE ○ — C 2
- BLUE ○ — C 3
- BLACK ○ — C 4
- GREY ○ — C 5



**FRONTAL VIEW**



**PANEL SIZE**



CONNECTOR FEATURES	
CONNECTOR TYPE	M12 TO PANEL
MOUNTING TYPE	FRONTAL
CONTACT TYPE	FEMALE
NUMBER OF CONTACTS CONNECTED	n°5
HOUSING MATERIAL	Brass+nickel plated (CuZnNi)
FIXING THREAD	PG9
SWITCH FIXED NUT	SW17
CONDUCTOR MATERIAL	PVC
CONDUCTOR LENGTH	500mm
CONDUCTOR SECTION	0.25mm <sup>2</sup>
n°OF CONDUCTORS	5
RATED VOLTAGE	60V
RATED CURRENT	4A

TOLERANZE	DISIGNATORE	DATA	SCALA	DESIGNA.
UDM	+0.2 ANGOLO CONTRULLATO	24.09.12	2:1	
DESCRIZIONE		TIPO	MATERIALE	
M12 FEMALE PANEL 5 POLES FRONTAL MOUNTING,PG9, WITH N°5 WIRES PVC 0,25mm <sup>2</sup> ,L=500mm		M12		



H.T.P.  
HIGH TECH PRODUCTS

12FPSA0E-PG9