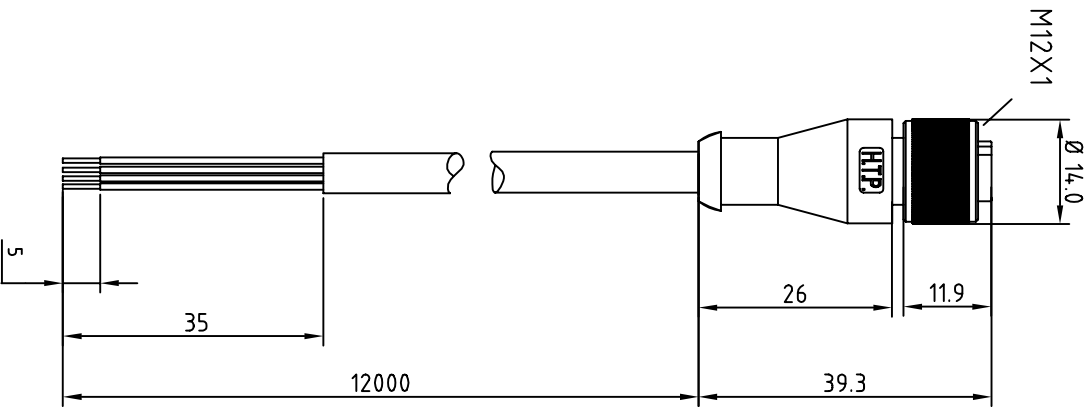
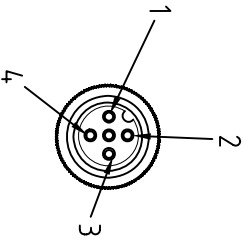


- BROWN — C 1
- WHITE — C 2
- BLUE — C 3
- BLACK — C 4



CABLE FEATURES		CONNECTOR FEATURES	
TYPE CONTACT	FEMALE 4POLES	CABLE LENGTH	12000mm
PROTECTION CLASS	IP69K	STRIPPING	35mm STANDARD
PEELING	5mm STANDARD	NUMBER OF CONTACTS CONNECTED	N°4
H.T.P. CABLE CODE	A	NUMBER OF CONDUCTORS	n°4
CONDUCTOR SECTION	0.25mm ²	CABLE MATERIAL	PVC CEI2022
COATING COLOUR	BLACK	CONDUCTOR INSULATION MATERIAL	PVC

TOLLERANZE		DISEGNATORE		DATA		SCALA		DISEGNO N.	
U4H	ANGOLO	LORENZO CHINNO CONTROLLATO		25.03.09		1:1			
DESCRIZIONE				TPO				MATERIALE	
M12 CONNECTOR FEMALE 180°, 4POLES WITH CABLE PVC/PVC,				M12					
4X0,25mm ² , CEI2022 BLACK, LENGTH 12m									
 HTP HIGH TECH PRODUCTS		H.T.P.		12FD4A12					