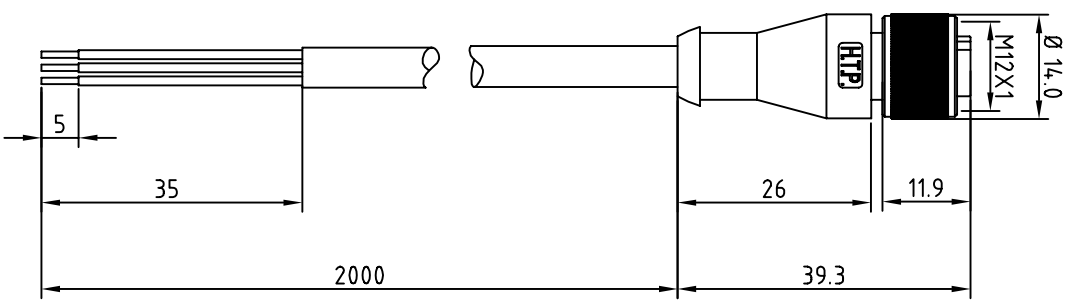
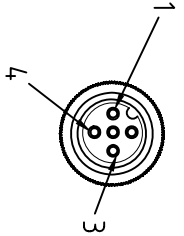


- BROWN ————— C 1
- BLUE ————— C 3
- BLACK ————— C 4



CABLE FEATURES		CONNECTOR FEATURES	
CONNECTOR TYPE	M12	CONNECTOR WITH H.T.P. LOGO	N°3
CONTACT TYPE	FEMALE 3POLES	H.T.P. CABLE CODE	L
CABLE LENGTH	2000mm	NUMBER OF CONDUCTORS	N°3
PROTECTION CLASS	IP69K	CONDUCTOR SECTION	0.34mm ²
STRIPPING	35mm STANDARD	CABLE MATERIAL	PVC CEI2022
PEELING	5mm STANDARD	COATING COLOUR	GREY
NUMBER OF CONTACTS CONNECTED	N°3	CONDUCTOR INSULATION MATERIAL	PVC

TOLLERANZE		DISSEGNAZIONE		DATA		SCALA		DESIGNO K.	
UANI	ANGOLI	LORENZO CHINNO	CONTROLATO	14.09.10	1:1			MATERIALE	
DESCRIZIONE									
M12 FEMALE 180° 3 POLES, WITH									
CABLE PVC/PVC, CEI2022, 3X0.34mm ² , GREY, L=2m									
H.T.P. HIGH TECH PRODUCTS								CODICE 12FD3L2Z	