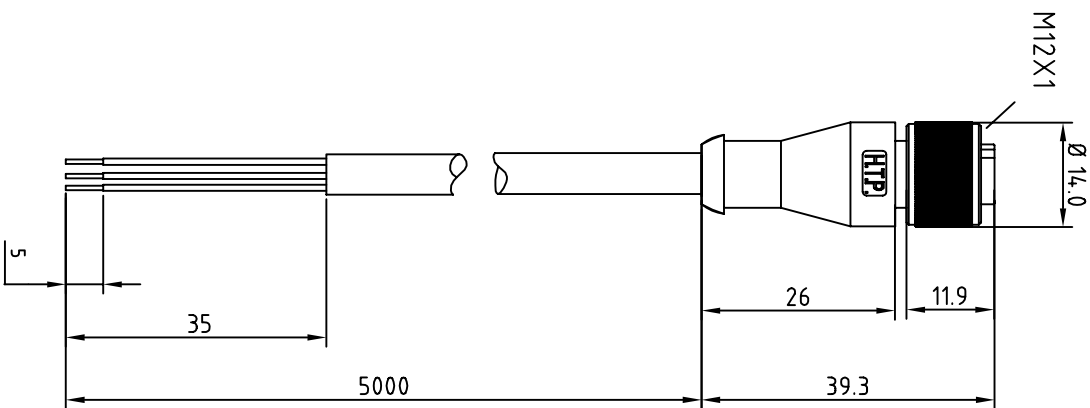
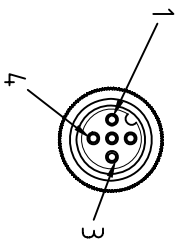


BROWN ——— C 1  
 BLUE ——— C 3  
 BLACK ——— C 4



| CABLE FEATURES                |  | CONNECTOR FEATURES  |  |
|-------------------------------|--|---------------------|--|
| TYPE CONTACT                  |  | FEMALE 3POLES       |  |
| CABLE LENGTH                  |  | 5000mm              |  |
| PROTECTION CLASS              |  | IP69K               |  |
| STRIPPING                     |  | 35mm STANDARD       |  |
| PEELING                       |  | 5mm STANDARD        |  |
| NUMBER OF CONTACTS CONNECTED  |  | N°3                 |  |
| H.T.P. CABLE CODE             |  | B                   |  |
| NUMBER OF CONDUCTORS          |  | n°3                 |  |
| CONDUCTOR SECTION             |  | 0.34mm <sup>2</sup> |  |
| CABLE MATERIAL                |  | PVC<br>CEI2022      |  |
| COATING COLOUR                |  | BLACK               |  |
| CONDUCTOR INSULATION MATERIAL |  | PVC                 |  |

|   |        |                |            |          |     |          |  |            |  |
|---|--------|----------------|------------|----------|-----|----------|--|------------|--|
| TOLLERANZE  |        | DISIGNATORE    |            | DATA     |     | SCALA    |  | DESIGNO K. |  |
| U4H   | ANGOLO | LORENZO CERINO | CONTROLATO | 25.03.09 | 1:1 |          |  | MATERIALE  |  |
| DESCRIZIONE   |        |                |            |          |     |          |  |            |  |
| M12 CONNECTOR FEMALE 180° 3POLES WITH CABLE PVC/PVC |        |                |            |          |     |          |  |            |  |
| 3X0.34mm <sup>2</sup> CEI2022 BLACK LENGTH 5M       |        |                |            |          |     |          |  |            |  |
| HTP High Tech Products                              |        |                |            | H.T.P.   |     | CODE     |  |            |  |
| HIGH TECH PRODUCTS                                  |        |                |            |          |     | 12FD3B5Z |  |            |  |