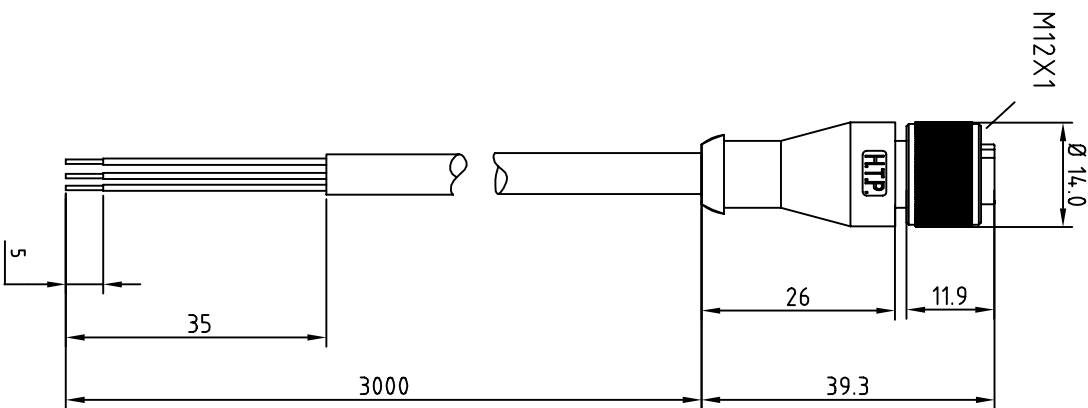
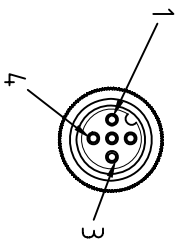


BROWN ——— C 1
 BLUE ——— C 3
 BLACK ——— C 4



CABLE FEATURES		CONNECTOR FEATURES	
TYPE CONTACT		FEMALE 3POLES	
CABLE LENGTH		3000mm	
PROTECTION CLASS		IP69K	
STRIPPING		35mm STANDARD	
PEELING		5mm STANDARD	
NUMBER OF CONTACTS CONNECTED		N°3	
H.T.P. CABLE CODE		B	
NUMBER OF CONDUCTORS		n°3	
CONDUCTOR SECTION		0.34mm ²	
CABLE MATERIAL		PVC CEI2022	
COATING COLOUR		BLACK	
CONDUCTOR INSULATION MATERIAL		PVC	

TOLLERANZE		DISIGNATORE		DATA		SCALA		DESIGNO K.	
U4H	ANGOLO	LORENZO CERINO	CONTROLATO	25.03.09	1:1			MATERIALE	
DESCRIZIONE									
M12 CONNECTOR FEMALE 180° 3POLES WITH CABLE PVC/PVC									
3X0.34mm ² CEI2022 BLACK LENGTH 3m									
HTP High Tech Products				H.T.P.		12FD3B3Z			
HIGH TECH PRODUCTS									