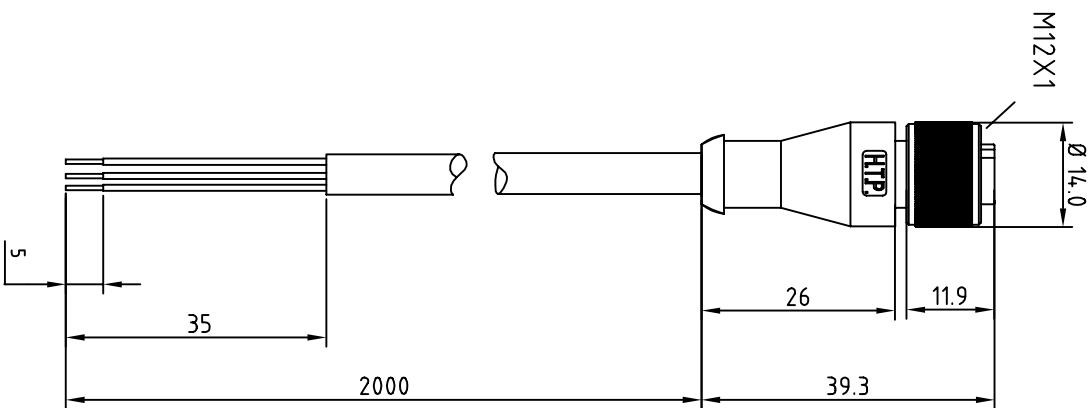
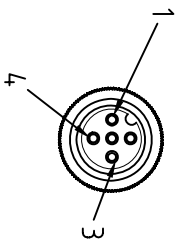


BROWN ——— C 1
 BLUE ——— C 3
 BLACK ——— C 4



CABLE FEATURES		CONNECTOR FEATURES	
TYPE CONTACT	FEMALE 3POLES	CABLE LENGTH	2000mm
PROTECTION CLASS	IP69K	STRIPPING	35mm STANDARD
PEELING	5mm STANDARD	NUMBER OF CONTACTS CONNECTED	N°3
H.T.P. CABLE CODE	B	NUMBER OF CONDUCTORS	n°3
CONDUCTOR SECTION	0.34mm ²	CABLE MATERIAL	PVC CEI2022
CONDUCTOR COLOUR	BLACK	CONDUCTOR INSULATION MATERIAL	PVC

TOLLERANZE	DISEGNATORE	DATA	SCALA	DISEGNO N.
U4H	LORENZO CERINO CONTROLLATO	25.03.09	1:1	
DESCRIZIONE		TPO		MATERIALE
M12 CONNECTOR FEMALE 180° 3POLES WITH CABLE PVC/PVC		M12		
3X0.34mm ² CEI2022 BLACK LENGTH 2m				
HTP HIGH TECH PRODUCTS		H.T.P. HIGH TECH PRODUCTS		CODICE 12FD3B2Z