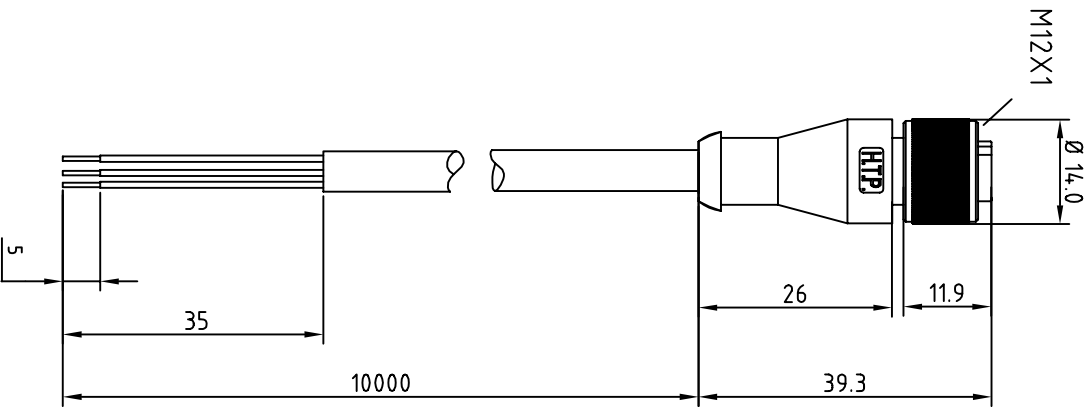
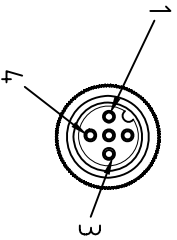
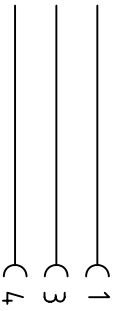


BROWN
 BLUE
 BLACK



CABLE FEATURES		CONNECTOR FEATURES	
TYPE CONTACT	FEMALE 3POLES	CABLE LENGTH	10000mm
PROTECTION CLASS	IP69K	STRIPPING	35mm STANDARD
PEELING	5mm STANDARD	NUMBER OF CONTACTS CONNECTED	N°3
H.T.P. CABLE CODE	B	NUMBER OF CONDUCTORS	n°3
CONDUCTOR SECTION	0.34mm ²	CABLE MATERIAL	PVC CEI2022
CONDUCTOR COLOUR	BLACK	CONDUCTOR INSULATION MATERIAL	PVC

TOLLERANZE		DISIGNATORE		DATA		SCALA		DESIGNO K.	
U4H	ANGOLO	LORENZO CERINO	CONTROLATO	25.03.09	1:1			MATERIALE	
DESCRIZIONE				TPO					
M12 CONNECTOR FEMALE 180° 3POLES WITH CABLE PVC/PVC				M12					
3X0.34mm ² CEI2022 BLACK LENGTH 10m									
		H.T.P.		12FD3B10					
HIGH TECH PRODUCTS									