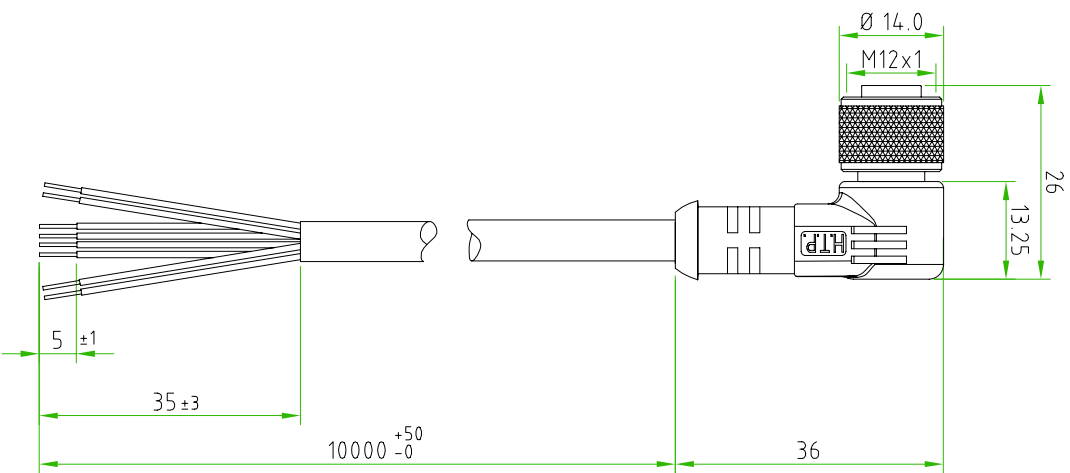
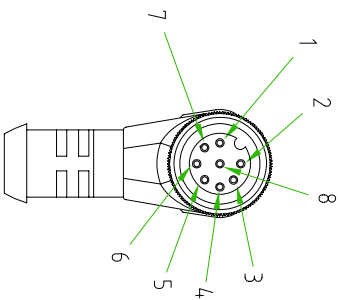


- WHITE _____ C 1
- BROWN _____ C 2
- GREEN _____ C 3
- YELLOW _____ C 4
- GREY _____ C 5
- PINK _____ C 6
- BLUE _____ C 7
- RED _____ C 8



CABLE FEATURES		CONNECTOR FEATURES	
CONNECTOR TYPE		CONNECTOR TYPE	M12 90°
CONTACT TYPE		CONTACT TYPE	FEMALE 8POLES
CABLE LENGTH		CABLE LENGTH	10000mm
PROTECTION CLASS		PROTECTION CLASS	IP69K
STRIPPING		STRIPPING	35mm STANDARD
PEELING AND TINNING		PEELING AND TINNING	5mm STANDARD
NUMBER OF CONTACTS CONNECTED		NUMBER OF CONTACTS CONNECTED	N°8
CONNECTOR WITH H.T.P LOGO		CONNECTOR WITH H.T.P LOGO	
H.T.P CABLE CODE		H.T.P CABLE CODE	L
NUMBER OF CONDUCTORS		NUMBER OF CONDUCTORS	n°8
CONDUCTOR SECTION		CONDUCTOR SECTION	0.34mm ²
CABLE MATERIAL		CABLE MATERIAL	PVC CEI2022
COATING COLOUR		COATING COLOUR	GREY
CONDUCTOR INSULATION MATERIAL		CONDUCTOR INSULATION MATERIAL	PVC

TOLLERANZE		DISIGNATORE		DATA		SCALA		DISIGNO N.	
UDM	±0.3	ANGOLO	LORENZO CHINNO	29.05.12	1:1				
		CONTROLATO						MATERIALE	
DESCRIZIONE									
M12 FEMALE 90° 8 POLES, WITH CABLE PVC/PVC									
CEI2022 8X0.34mm ² GREY L=10m									
TIPO									
M12									
CODICE									
12FA8L10									



H.T.P.
HIGH TECH PRODUCTS