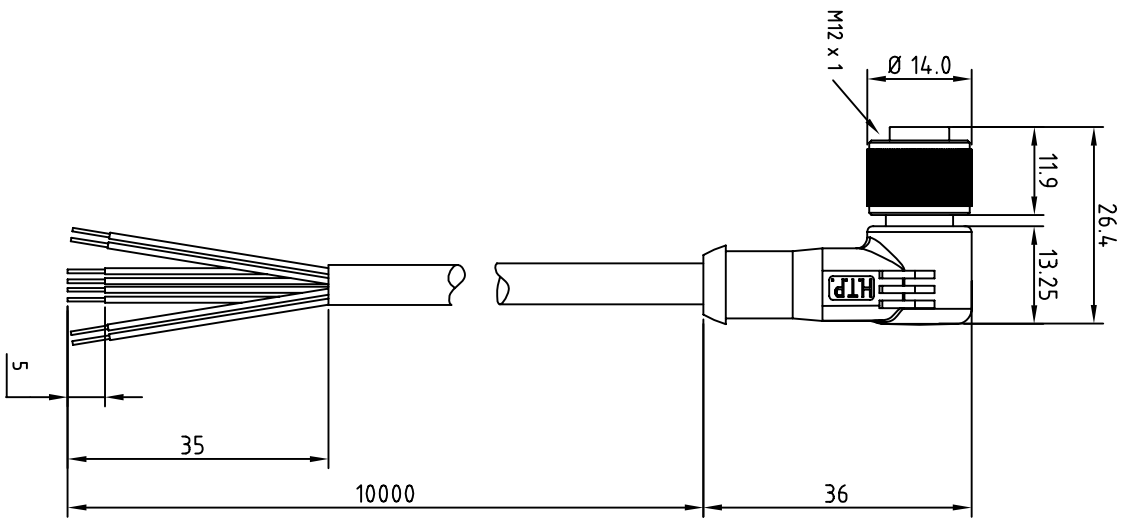
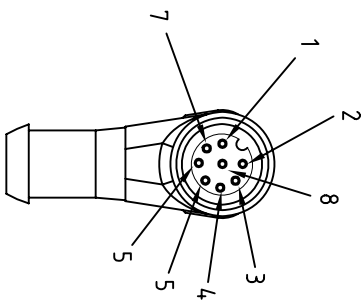
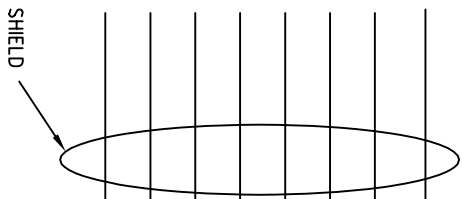


- WHITE C 1
- BROWN C 2
- GREY C 3
- YELLOW C 4
- GREY C 5
- PINK C 6
- BLUE C 7
- RED C 8



CABLE FEATURES		CONNECTOR FEATURES	
CONNECTOR TYPE	M12	CONNECTOR WITH H.T.P. LOGO	
CONTACT TYPE	FEMALE 8POLES	H.T.P. CABLE CODE	J
CABLE LENGTH	10000mm	NUMBER OF CONDUCTORS	N°8
PROTECTION CLASS	IP69K	CONDUCTOR SECTION	0.25mm ²
STRIPPING	35mm STANDARD	CABLE MATERIAL	PVC CEI2022
PEELING	5mm STANDARD	COATING COLOUR	BLACK
NUMBER OF CONTACTS CONNECTED	N°8	CONDUCTOR INSULATION MATERIAL	PVC
CABLE SHIELDED			

TOLLERANZE		DISEGNATORE		DATA		SCALA		DISEGNO K.		
UDM	ANGOLO	LORENZO CHINNO CONTROLLATO		03.02.10		1:1				
DESCRIZIONE			TPO		MATERIALE					
M12 FEMALE 90° 8 POLES WITH CABLE PVC/ PVC, 8X0.25mm ² , CEI2022, BLACK, SHIELDED, L=10m			M12							
			H.T.P.		12FA8J10					
HIGH TECH PRODUCTS										