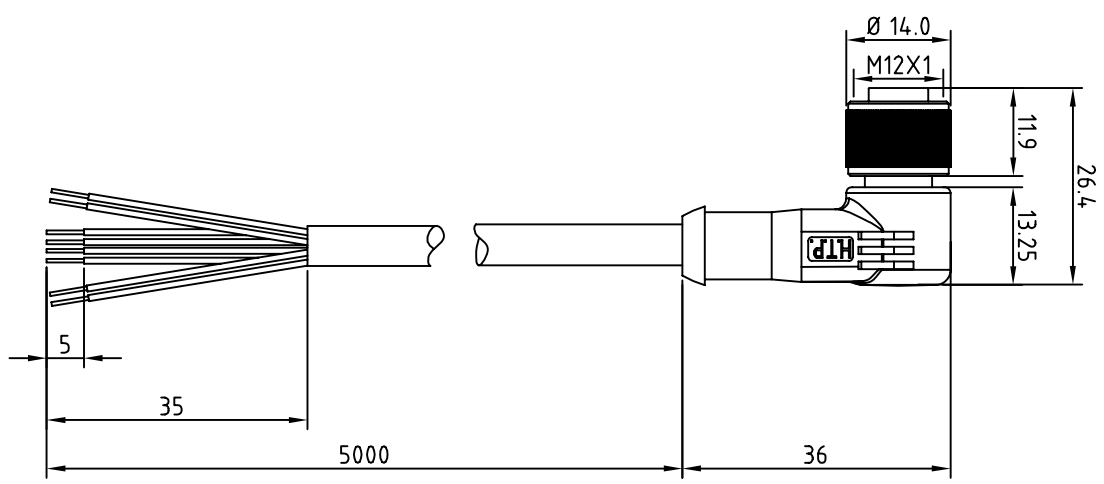
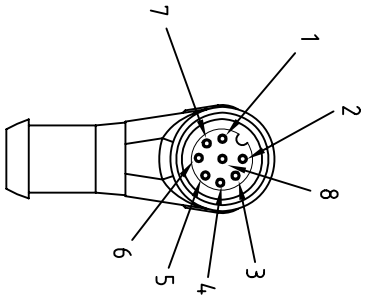


- WHITE C 1
- BROWN C 2
- GREEN C 3
- YELLOW C 4
- GREY C 5
- PINK C 6
- BLUE C 7
- RED C 8



CABLE FEATURES		CONNECTOR FEATURES	
H.T.P. CABLE CODE	C	CONNECTOR TYPE	M12
NUMBER OF CONDUCTORS	N°8	CONTACT TYPE	FEMALE 8POLES
CONDUCTOR SECTION	0.25mm ²	CABLE LENGTH	5000mm
CABLE MATERIAL	PUR	PROTECTION CLASS	IP69K
COATING COLOUR	BLACK	STRIPPING	35mm STANDARD
CONDUCTOR INSULATION MATERIAL	PUR	PEELING	5mm STANDARD
		NUMBER OF CONTACTS CONNECTED	N°8
		CONNECTOR WITH H.T.P. LOGO	

TOLLERANZE		DISEGNATORE		DATA		SCALA		DISEGNO K.		
U4H	ANGOLO	LORENZO CHINNO CONTROLLATO		25.08.09		1:1		MATERIALE		
DESCRIZIONE M12 FEMALE 90° 8 POLES, WITH CABLE PUR/PUR, 8X0.25mm ² , BLACK, L=5m				TPO		M12				
HTP HIGH TECH PRODUCTS				H.T.P.		12FA8C5Z				