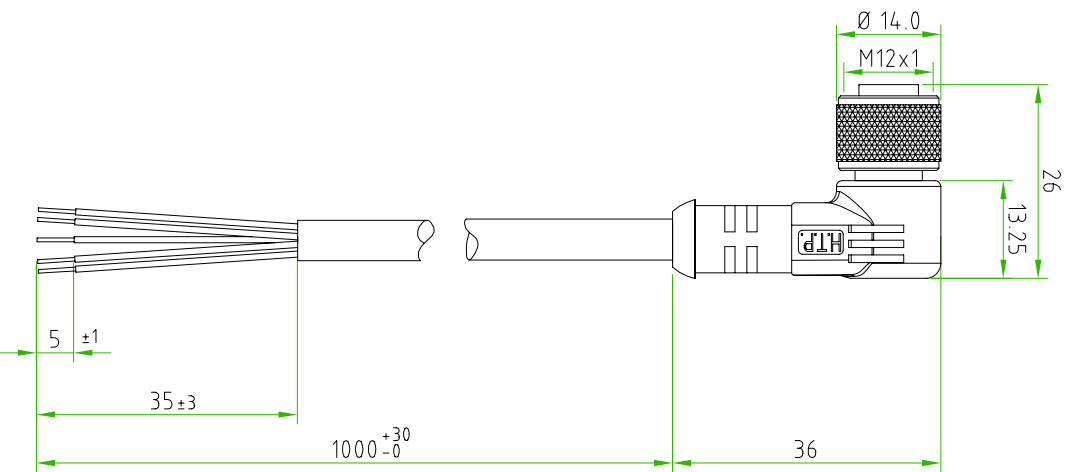
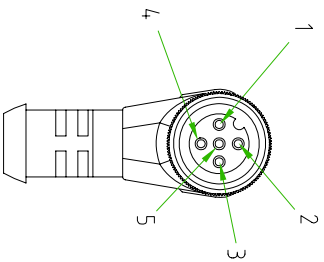



- BROWN \_\_\_\_\_ C 1
- WHITE \_\_\_\_\_ C 2
- BLUE \_\_\_\_\_ C 3
- BLACK \_\_\_\_\_ C 4
- GREY \_\_\_\_\_ C 5



CABLE FEATURES		CONNECTOR FEATURES	
CONNECTOR TYPE		CONNECTOR TYPE	M12 90°
CONTACT TYPE		CONTACT TYPE	FEMALE SPOLES
CABLE LENGTH		CABLE LENGTH	1000mm
PROTECTION CLASS		PROTECTION CLASS	IP69K
STRIPPING		STRIPPING	35mm STANDARD
PEELING AND TINNING		PEELING AND TINNING	5mm STANDARD
NUMBER OF CONTACTS CONNECTED		NUMBER OF CONTACTS CONNECTED	N°5
CONNECTOR WITH H.T.P. LOGO		CONNECTOR WITH H.T.P. LOGO	
H.T.P. CABLE CODE		H.T.P. CABLE CODE	B
NUMBER OF CONDUCTORS		NUMBER OF CONDUCTORS	N°5
CONDUCTOR SECTION		CONDUCTOR SECTION	0.34mm <sup>2</sup>
CABLE MATERIAL		CABLE MATERIAL	PVC CEI2022
COATING COLOUR		COATING COLOUR	BLACK
CONDUCTOR INSULATION MATERIAL		CONDUCTOR INSULATION MATERIAL	PVC

TOLLERANZE	DISIGNATORE	DATA	SCALA	DESIGNO N.
±0,3	LORENZO CHINNO	05.06.12	1:1	
UDM	ANGOLO	CONTROLATO		
DESCRIZIONE		TRPO		MATERIALE
M12 FEMALE 90° 5 POLES, WITH CABLE PVC/PVC		M12		
CEI2022 5X0.34mm <sup>2</sup> BLACK L=1m				
 <b>H.T.P.</b> HIGH TECH PRODUCTS		<b>12FA5B1Z</b> <small>CODE</small>		