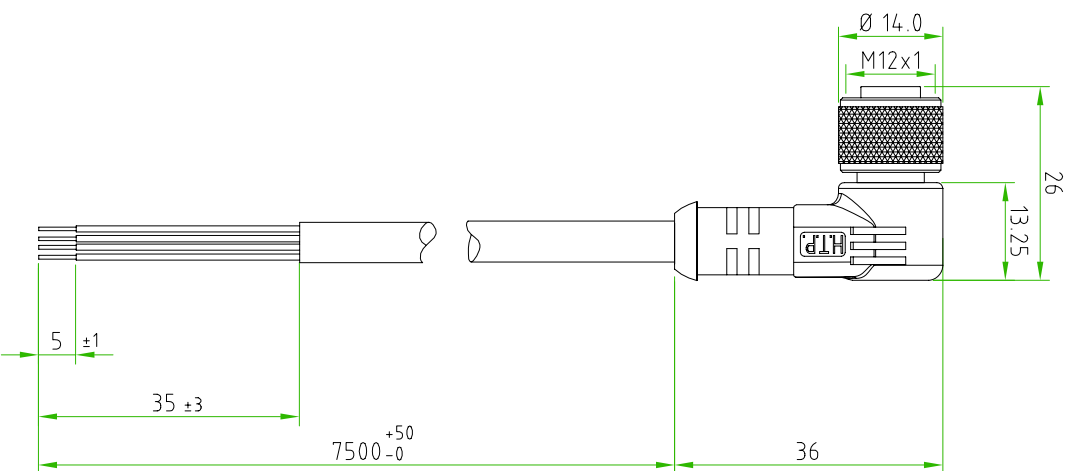
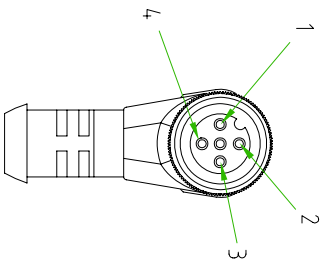


- BROWN ————— C 1
- WHITE ————— C 2
- BLUE ————— C 3
- BLACK ————— C 4



CABLE FEATURES		CONNECTOR FEATURES	
CONNECTOR TYPE		CONNECTOR TYPE	M12 90°
CONTACT TYPE		CONTACT TYPE	FEMALE 4POLES
CABLE LENGTH		CABLE LENGTH	7500mm
PROTECTION CLASS		PROTECTION CLASS	IP69K
STRIPPING		STRIPPING	35mm STANDARD
PEELING AND TINNING		PEELING AND TINNING	5mm STANDARD
NUMBER OF CONTACTS CONNECTED		NUMBER OF CONTACTS CONNECTED	N°4
CONNECTOR WITH H.T.P LOGO		CONNECTOR WITH H.T.P LOGO	
H.T.P CABLE CODE		H.T.P CABLE CODE	B
NUMBER OF CONDUCTORS		NUMBER OF CONDUCTORS	N°4
CONDUCTOR SECTION		CONDUCTOR SECTION	0.34mm ²
CABLE MATERIAL		CABLE MATERIAL	PVC CEI2022
COATING COLOUR		COATING COLOUR	BLACK
CONDUCTOR INSULATION MATERIAL		CONDUCTOR INSULATION MATERIAL	PVC

TOLLERANZE	±0.3	DISIGNATORE	DATA	SCALA	DISIGNO N.
UDM	ANGOLIO	LORENZO CHINNO CONTROLLATO	03.04.12	1:1	
DESCRIZIONE		M12 FEMALE 90° 4 POLES WITH CABLE	TR90		MATERIALE
		PVC/PVC,CEI2022,4X0.34mm ² ,BLACK,L=7.5m			
HTP HIGH TECH PRODUCTS		H.T.P.	CODE	12FA4B7E	