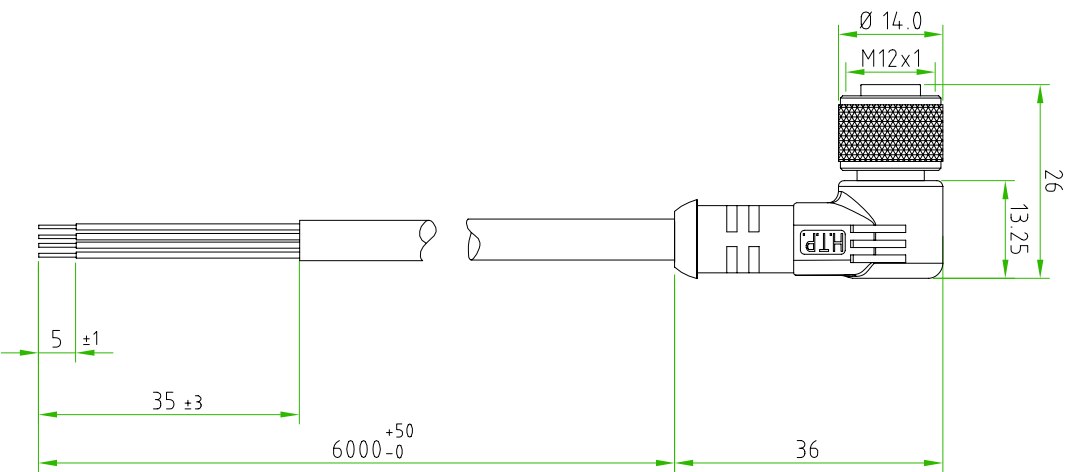
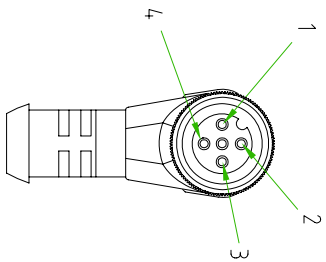


- BROWN ————— C 1
- WHITE ————— C 2
- BLUE ————— C 3
- BLACK ————— C 4



CABLE FEATURES		CONNECTOR FEATURES	
CONNECTOR TYPE		CONNECTOR WITH H.T.P. LOGO	
CONTACT TYPE	FEMALE 4POLES	H.T.P. CABLE CODE	B
CABLE LENGTH	6000mm	NUMBER OF CONDUCTORS	N°4
PROTECTION CLASS	IP69K	CONDUCTOR SECTION	0.34mm <sup>2</sup>
STRIPPING	35mm STANDARD	CABLE MATERIAL	PVC CEI2022
PEELING AND TINNING	5mm STANDARD	COATING COLOUR	BLACK
NUMBER OF CONTACTS CONNECTED	N°4	CONDUCTOR INSULATION MATERIAL	PVC

TOLLERANZE	±0.3	DISIGNATORE	DATA	SCALA	DISIGNO N.
UDM	ANGOLO	LORENZO CHINNO CONTROLLATO	03.04.12	1:1	
DESCRIZIONE		M12 FEMALE 90° 4 POLES WITH CABLE		TR90	
		PVC/PVC, CEI2022, 4X0.34mm <sup>2</sup> , BLACK, L=6m		M12	MATERIALE
<b>HTP</b> HIGH TECH PRODUCTS				<b>12FA4B6Z</b>	