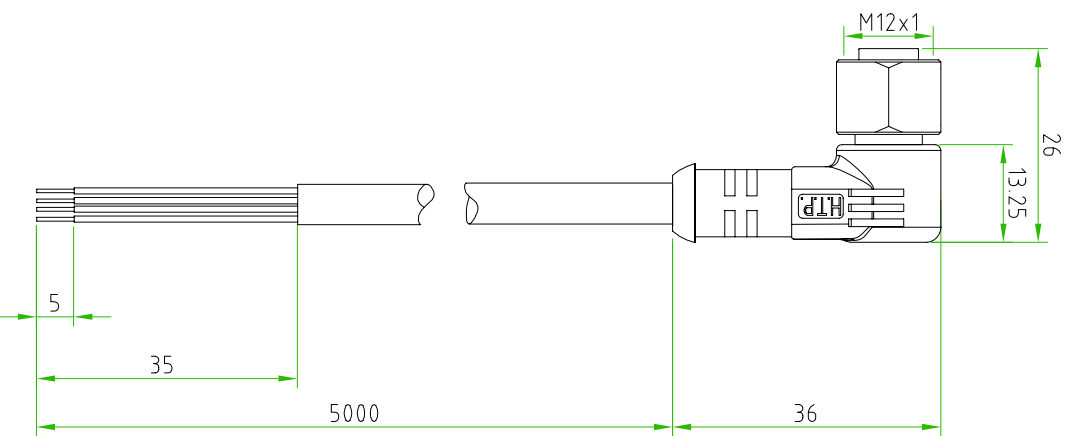
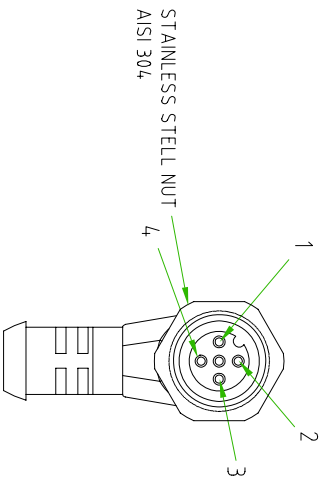


- BROWN _____ C 1
- WHITE _____ C 2
- BLUE _____ C 3
- BLACK _____ C 4



CABLE FEATURES		CONNECTOR FEATURES	
CONNECTOR TYPE	M12 90°	CONTACT TYPE	FEMALE 4POLES
CABLE LENGTH	5000mm	PROTECTION CLASS	IP69K
STRIPPING	35mm STANDARD	PEELING	5mm STANDARD
NUMBER OF CONTACTS CONNECTED	N°4	CONNECTOR WITH H.T.P.LOGO	
CONNECTOR WITH STAINLESS STEEL NUT AISI304		H.T.P.CABLE CODE	B
NUMBER OF CONDUCTORS	N°4	CONDUCTOR SECTION	0.34mm ²
CABLE MATERIAL	PVC CEI2022	COATING COLOUR	BLACK
CONDUCTOR INSULATION MATERIAL	PVC		

TOLLERANZE		DISIGNATORE		DATA		SCALA		DISIGNO N.	
UDM	ANGOLO	LORENZO CHINIO	CONTROLATO	31.05.11	1:1				
DESCRIZIONE		M12 FEMALE 90° 4 POLES WITH STAINLESS STEEL NUT AISI304 WITH CABLE PVC/PVC CEI2022,4X0.34mm ² BLACK,L=5m		TR90	M12	MATERIALE			
		H.T.P.		HIGH TECH PRODUCTS		CODE		12FA4B5Z-INOX	