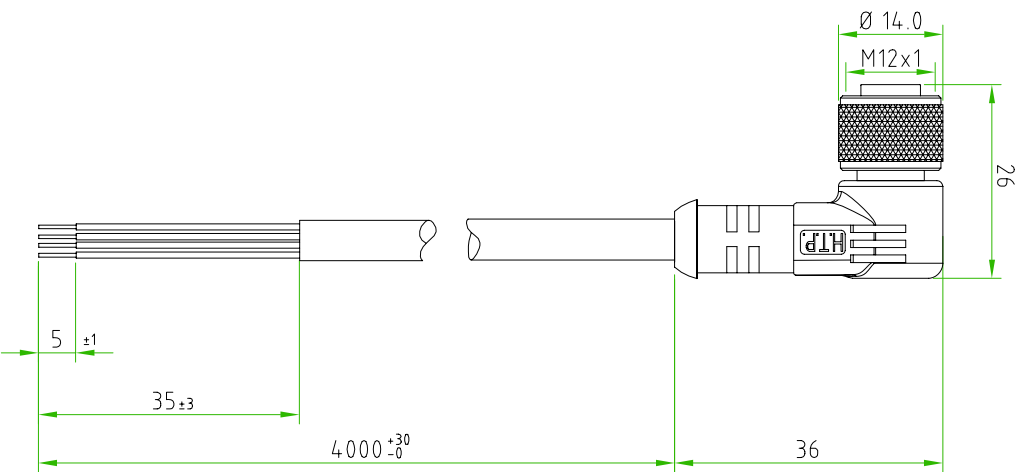
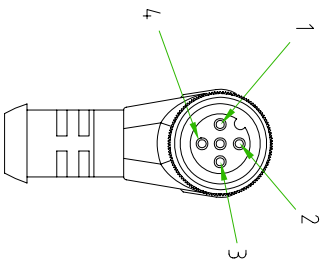


- BROWN ○ ——— C 1
- WHITE ○ ——— C 2
- BLUE ○ ——— C 3
- BLACK ○ ——— C 4



CABLE FEATURES		CONNECTOR FEATURES	
CONNECTOR TYPE	M12 90°	CONNECTOR WITH H.T.P. LOGO	
CONTACT TYPE	FEMALE 4POLES	H.T.P. CABLE CODE	B
CABLE LENGTH	4.000mm	NUMBER OF CONDUCTORS	N°4
PROTECTION CLASS	IP69K	CONDUCTOR SECTION	0.34mm ²
STRIPPING	35mm STANDARD	CABLE MATERIAL	PVC CEI2022
PEELING AND TINNING	5mm STANDARD	COATING COLOUR	BLACK
NUMBER OF CONTACTS CONNECTED	N°4	CONDUCTOR INSULATION MATERIAL	PVC
RATED VOLTAGE	250V		
RATED CURRENT	4A		

TOLLERANZE	±0,3	DISIGNATORE	DATA	SCALA	DISIGNO N.
UDM	ANGOLIO	LORENZO CHINNO CONTROLLATO	29.03.13	1:1	
DESCRIZIONE		M12 FEMALE 90° 4 POLES WITH CABLE PVC/PVC CEI2022 4X0.34mm ² BLACK L=4m CONNECTOR WITH H.T.P. LOGO		TR90	MATERIALE
H.T.P. HIGH TECH PRODUCTS				12FA4B4Z	