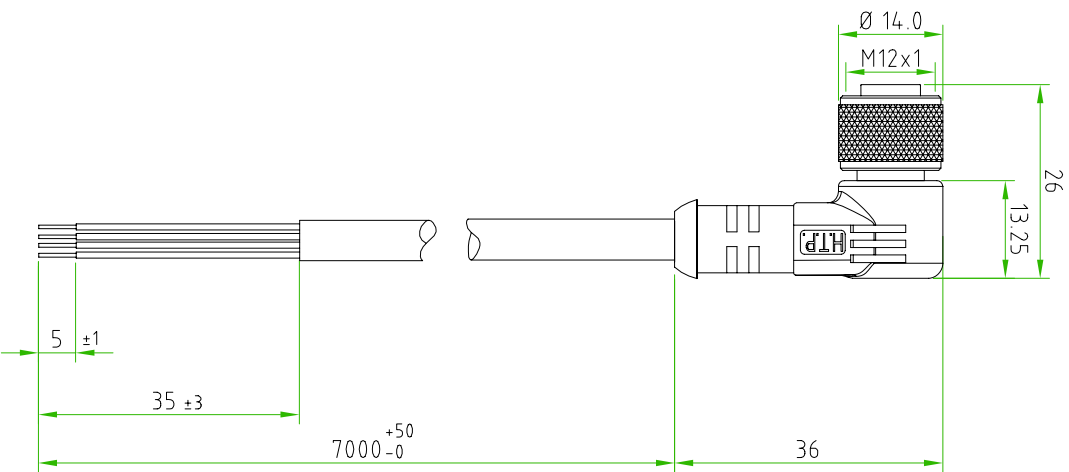
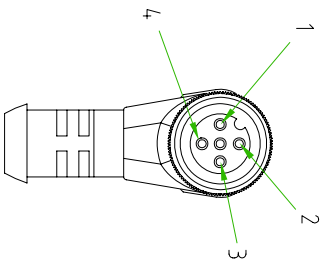


- BROWN ————— C 1
- WHITE ————— C 2
- BLUE ————— C 3
- BLACK ————— C 4



CABLE FEATURES		CONNECTOR FEATURES	
CONNECTOR TYPE	M12 90°	CONNECTOR WITH H.T.P. LOGO	N°4
CONTACT TYPE	FEMALE 4POLES	H.T.P. CABLE CODE	A
CABLE LENGTH	7000mm	NUMBER OF CONDUCTORS	N°4
PROTECTION CLASS	IP69K	CONDUCTOR SECTION	0.25mm ²
STRIPPING	35mm STANDARD	CABLE MATERIAL	PVC CEI2022
PEELING AND TINNING	5mm STANDARD	COATING COLOUR	BLACK
NUMBER OF CONTACTS CONNECTED	N°4	CONDUCTOR INSULATION MATERIAL	PVC

TOLLERANZE	±0,3	DISIGNATORE	DATA	SCALA	DISIGNO N.
UDM	ANGOLO	LORENZO CHINNO CONTROLLATO	03.04.12	1:1	
DESCRIZIONE	M12 FEMALE 90° 4. POLES. WITH CABLE PVC/PVC, CEI2022, 4X0.25mm ² BLACK, L=7m		TR90		MATERIALE
HTP HIGH TECH PRODUCTS			H.T.P. HIGH TECH PRODUCTS		12FA4A7Z