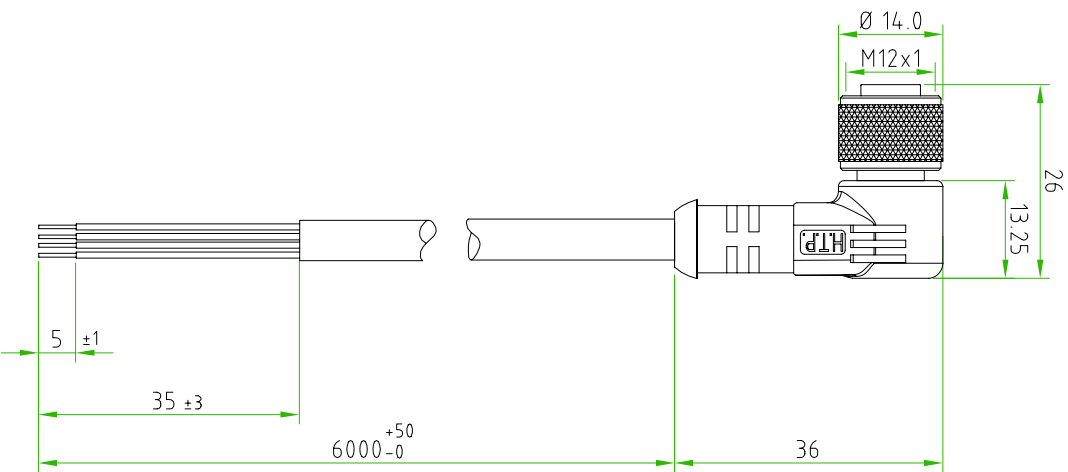
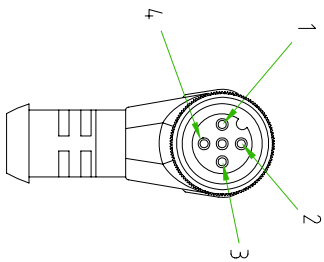


- BROWN ————— C 1
- WHITE ————— C 2
- BLUE ————— C 3
- BLACK ————— C 4



CABLE FEATURES		CONNECTOR FEATURES	
CONNECTOR TYPE		M12 90°	
CONTACT TYPE		FEMALE 4POLES	
CABLE LENGTH		6000mm	
PROTECTION CLASS		IP69K	
STRIPPING		35mm STANDARD	
PEELING AND TINNING		5mm STANDARD	
NUMBER OF CONTACTS CONNECTED		N°4	
CONNECTOR WITH H.T.P LOGO			
H.T.P.CABLE CODE		A	
NUMBER OF CONDUCTORS		N°4	
CONDUCTOR SECTION		0.25mm ²	
CABLE MATERIAL		PVC CEI2022	
COATING COLOUR		BLACK	
CONDUCTOR INSULATION MATERIAL		PVC	

TOLLERANZE	±0.3	DISIGNATORE	DATA	SCALA	DISIGNO N.
UDM	ANGOLIO	LORENZO CHINNO CONTROLLATO	03.04.12	1:1	
DESCRIZIONE		M12 FEMALE 90° 4. POLES. WITH CABLE PVC/PVC, CEI2022, 4X0.25mm ² BLACK, L=6m		TR90	MATERIALE
				M12	
H.T.P. HIGH TECH PRODUCTS					CODICE 12FA4A6Z