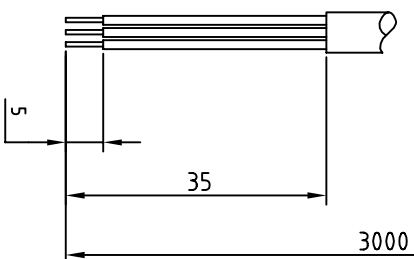
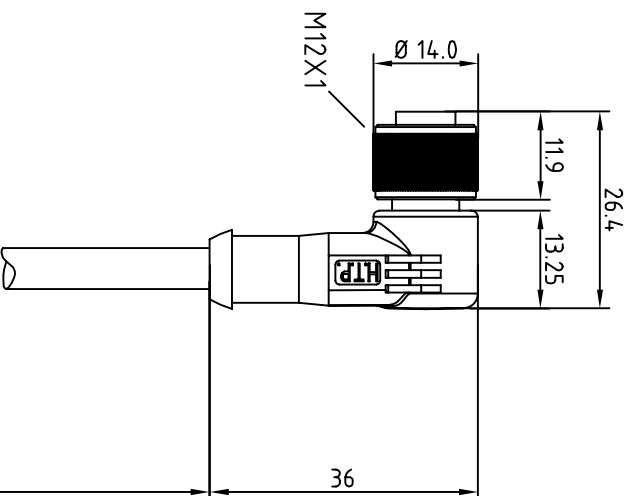
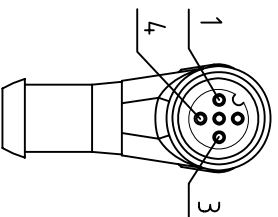


- BROWN ————— C 1
- BLUE ————— C 3
- BLACK ————— C 4



CABLE FEATURES		CONNECTOR FEATURES	
TYPE CONTACT		FEMALE 3POLES	
CABLE LENGTH		3000mm	
PROTECTION CLASS		IP69K	
STRIPPING		35mm STANDARD	
PEELING		5mm STANDARD	
NUMBER OF CONTACTS CONNECTED		N°3	
H.T.P. CABLE CODE		A	
NUMBER OF CONDUCTORS		n°3	
CONDUCTOR SECTION		0.25mm	
CABLE MATERIAL		PVC	
COATING COLOUR		GREY	
CONDUCTOR INSULATION MATERIAL		PVC	

TOLLERANZE		DISEGNATORE		DATA		SCALA		DISEGNO N.	
UDM	ANGOLO	LORENZO CHINNO	CONTROLATO	30.10.08	1:1			MATERIALE	
DESCRIZIONE									
M12 FEMALE 90° 3 POLES, WITH CABLE				TP0		M12			
PVC/PVC/CEI202,3X0,25mm ² , GREY, L=3m				CODICE		12FA3L3Z			
		H.T.P.		HIGH TECH PRODUCTS					