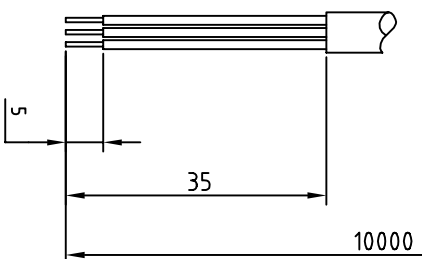
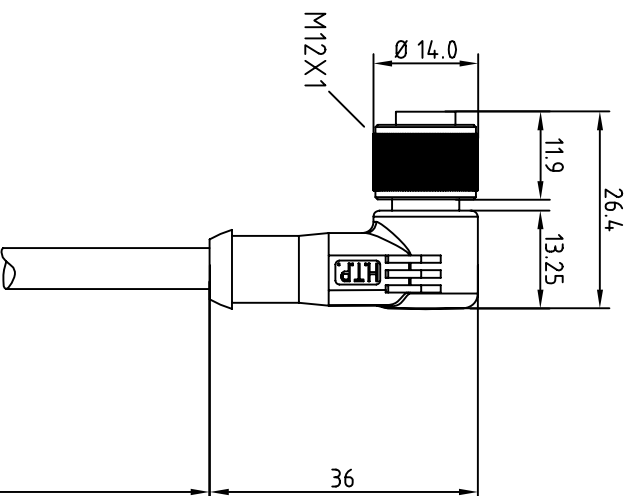
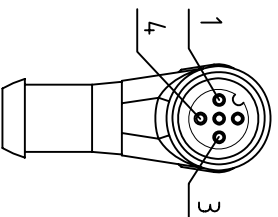


BROWN ——— C 1
 BLUE ——— C 3
 BLACK ——— C 4



CABLE FEATURES		CONNECTOR FEATURES	
TYPE CONTACT	FEMALE 3POLES	CABLE LENGTH	10000mm
PROTECTION CLASS	IP69K	STRIPPING	35mm STANDARD
PEELING	5mm STANDARD	NUMBER OF CONTACTS CONNECTED	N°3
H.T.P.CABLE CODE	A	NUMBER OF CONDUCTORS	n°3
CONDUCTOR SECTION	0.25mm	CABLE MATERIAL	PVC
COATING COLOUR	GREY	CONDUCTOR INSULATION MATERIAL	PVC

TOLLERANZE		DISIGNATORE		DATA		SCALA		DESIGNO N.	
U4H	ANGOLO	LORENZO CHINNO	CONTROLATO	30.10.08	1:1			MATERIALE	
DESCRIZIONE				TPO		CODICE			
M12 FEMALE 90° 3 POLES, WITH CABLE PVC/PVC,CEI2022,3X0.25mm ² ,GREY,L=10m				M12		12FA3L10			
				H.T.P.		HIGH TECH PRODUCTS			