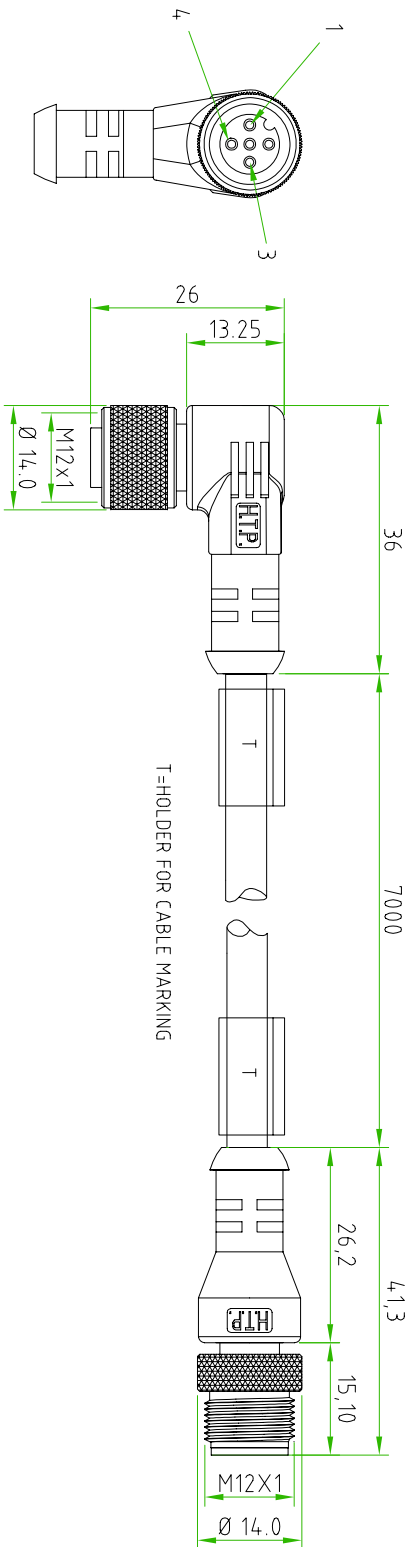


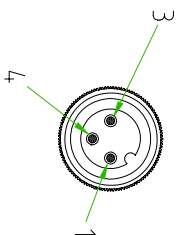
M12 FEMALE



M12 MALE



T=HOLDER FOR CABLE MARKING



CABLE FEATURES		CONNECTOR FEATURES	
PRODUCT TYPE	M12-M12 EXTENSION	CONTACT TYPE	FEMALE-MALE
CABLE LENGTH	7000mm	M12 FEMALE 90°	3 POLES
NUMBER OF CONDUCTORS	N°3	M12 MALE 180°	3 POLES
CONDUCTOR SECTION	0.25mm ²	PROTECTION CLASS	IP69K
CABLE MATERIAL	PUR	NUMBER OF CONTACTS CONNECTED	N°3
COATING COLOUR	BLACK	CONNECTORS WITH H.T.P. LOGO	
CONDUCTOR INSULATION MATERIAL	PP	EXTENSION WITH THE HOLDER FOR CABLE MARKING	
		H.T.P. CABLE CODE	C

TOLLERANZE	DISIGNATORE	DATA	SCALA	DISIGNO
UDM	LORENZO CHINNO CONTROLLATO	17-06-11	1:1	
DESCRIZIONE	ESTENSIONE M12 FEMALE ANGLED 90° 3 POLES WITH CABLE PUR/PP. BLACK 3X0 25mm ² L=7m+M12 MALE STRAIGHT 180° 3POLES		TIPO	MATERIALE
	H.T.P. HIGH TECH PRODUCTS		ESTENSIONE M12	
	12FA3C7Z12MD			