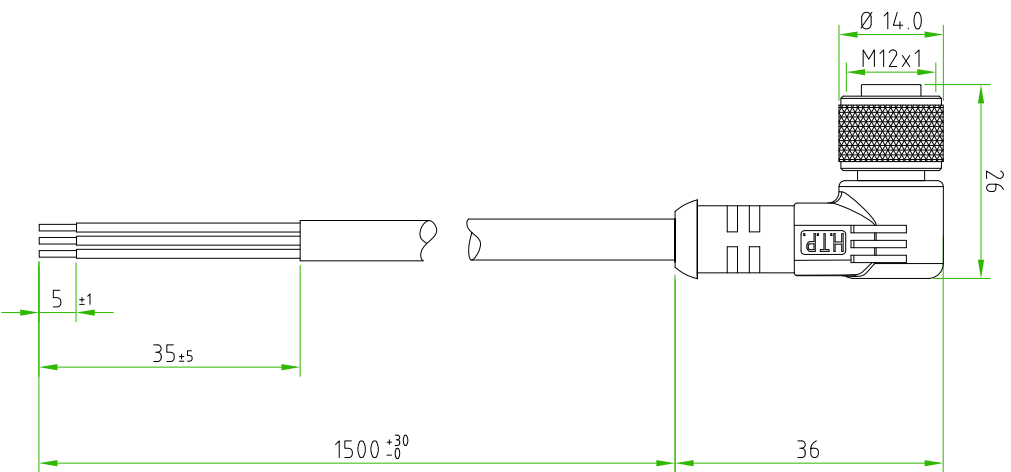
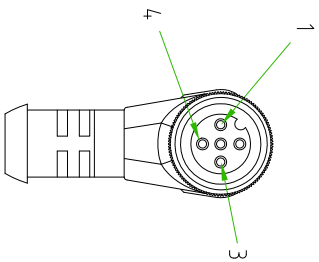
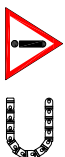


- BROWN ○ ———— C 1
- BLUE ○ ———— C 3
- BLACK ○ ———— C 4



CABLE FEATURES		CONNECTOR FEATURES	
CONNECTOR INSULATION MATERIAL	PVC	CONNECTOR TYPE	M12 90°
COATING COLOUR	BLACK	CONTACT TYPE	FEMALE 3POLES
CABLE MATERIAL	PVC CE2022	CABLE LENGTH	1500mm
CONDUCTOR SECTION	0.25mm <sup>2</sup>	PROTECTION CLASS	IP69K
NUMBER OF CONDUCTORS	N°3	STRIPPING	35mm STANDARD
H.T.P. CABLE CODE	CAVO C-3-K6	PEELING AND TINNING	5mm STANDARD
CONNECTOR WITH H.T.P. LOGO		NUMBER OF CONTACTS CONNECTED	N°3
RATED CURRENT	4A	RATED VOLTAGE	250V AC/DC
RATED VOLTAGE	250V AC/DC		



THE CABLE IS HIGH FLEX " -K6" (CLASS 6)

TOLLERANZE	±0,3	DISIGNAZIONE	DATA	SCALA	DESIGNO N.
UDM	ANGOLID	LORENZO CHINNO CONTROLLATO	17.01.14	1:1	
DESCRIZIONE	M12 FEMALE 90° 3 POLES, WITH CABLE PUR/PUR BLACK 3X0.25mm <sup>2</sup> HIGH FLEX 1,5m. CONNECTOR WITH H.T.P. LOGO	TR90	M12		MATERIALE
				<b>12FA3C1E-K6</b>	