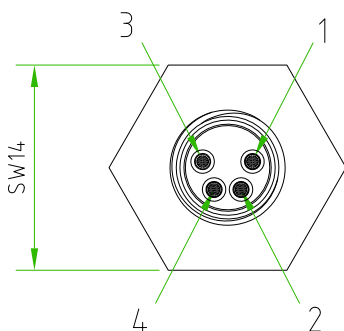
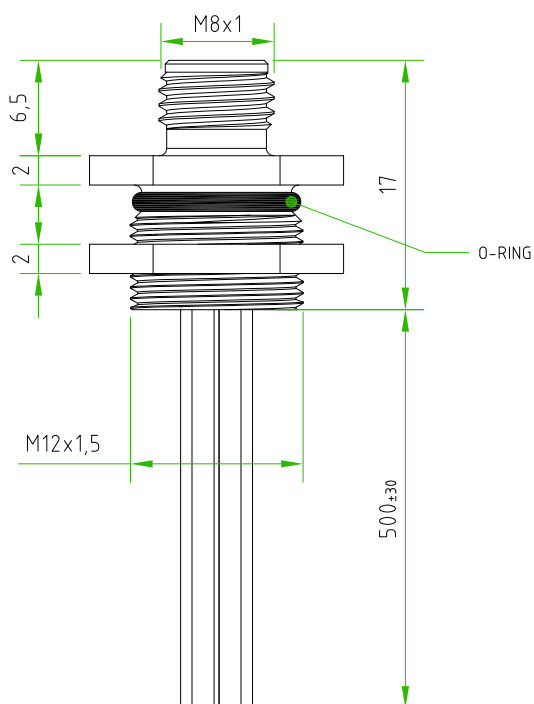
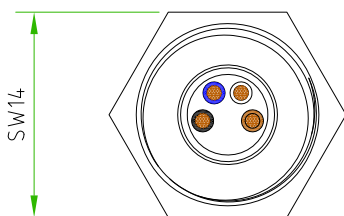


Rev.					
Modify					
Date					
Signed					
Approved					

Rev.					
Modify					
Date					
Signed					
Approved					

Rev.					
Modify					
Date					
Signed					
Approved					

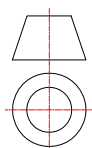
- BROWN ○ ———— ■ 1
- WHITE ○ ———— ■ 2
- BLUE ○ ———— ■ 3
- BLACK ○ ———— ■ 4



CONNECTOR FEATURES	
PRODUCT TYPE	M8 CIRCULAR CONNECTOR TO PANEL WITH WIRES.
TYPE MOUNTING	FRONTAL MOUNTING
CONTACTS TYPE	MALE 4POLES
NUMBER OF CONTACTS CONNECTED	N°4
HOUSING MATERIAL	BRASS+NICKEL PLATED
O-RING MATERIAL	NBR
FIXING THREAD	M12x1,5
SIZE FIXED NUT(SW)	SW14
SIZE MOBILE NUT(SW)	SW14
PROTECTION CLASS	IP67
RATED VOLTAGE	50V AC/ 60V DC
RATED CURRENT	3A
CONNECTOR WITHOUT ANY LOGO	
WIRES FEATURES	
NUMBER OF CONDUCTORS	N°4
CONDUCTORS SECTION	0,25mm ²
CONDUCTORS INSULATION MATERIAL	PVC
CONDUCTORS LENGHT	500mm

A4

Designer	SUGLIANI R.	Date	2017-12-21	Tolerance	±0.3	Units:	mm	Series	M8	Drawing n. 1-1
Approved	CIMMINO L.	Date	2017-12-21	Scale	2:1	Size:	A4	Customer code:		



DESCRIPTION
 CIRCULAR CONNECTOR M8, MALE, TO PANEL, 4POLES, FRONTAL MOUNTING, WITH N°4 WIRES PVC 0,25mm² L=500mm, CONNECTOR WITHOUT ANY LOGO

H.T.P.PART NUMBER

08MP4A0E-M12