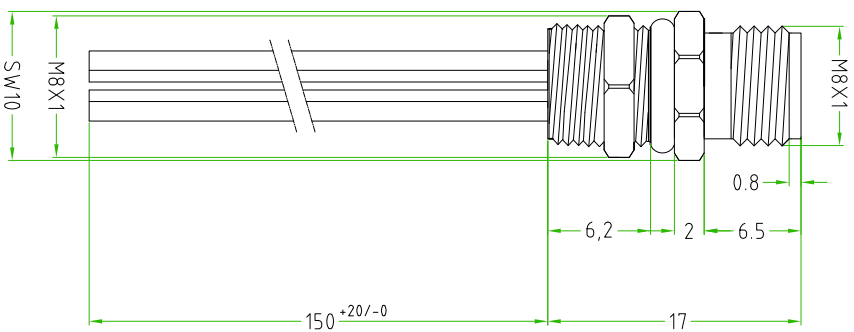
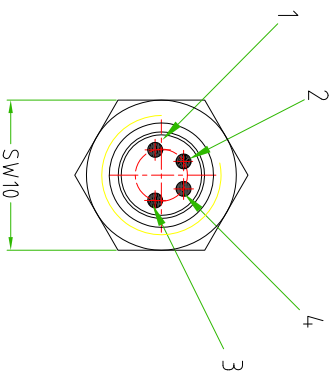
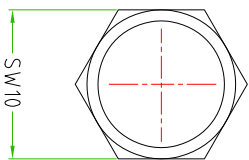


- BROWN ○ — 1
- WHITE ○ — 2
- BLUE ○ — 3
- BLACK ○ — 4



CONNECTOR FEATURES	
CONNECTOR TYPE	M8 TO PANEL
MOUNTING TYPE	FRONTAL
CONTACT TYPE	MALE
NUMBER OF CONTACTS CONNECTED	n°4
HOUSING MATERIAL	Brass+nickel plated (CuZnNi)
FIXING THREAD	M8x1
SWITCH FIXED NUT	SW10
SWITCH MOBILE NUT	SW10
CONDUCTOR MATERIAL	PVC
CONDUCTOR LENGHT	150mm
CONDUCTOR SECTION	0.25mm ²
n°OF CONDUCTORS	4
RATED VOL TAGE	50V AC/ 60V DC
RATED CURRENT	4A

TOLLERANZE	DISIGNATORE	DATA	SCALA	DESIGNO N
±0.2	ROBERTO SUGLIANI	20.02.2017	2:1	
UDM	ANGOLID	CONTROLATO		
DESCRIZIONE				
M8 CONNECTOR MALE TO PANEL, 4 POLES, FRONTAL MOUNTING, WITH N°4 WIRES PVC 0.25mm ² LENGHT 150mm, THREAD M8X1				
H.T.P. HIGH TECH PRODUCTS			TIPO	MATERIALE
			M8	
H.T.P. HIGH TECH PRODUCTS			CODE	
			08MP4A0A5-M8X1	