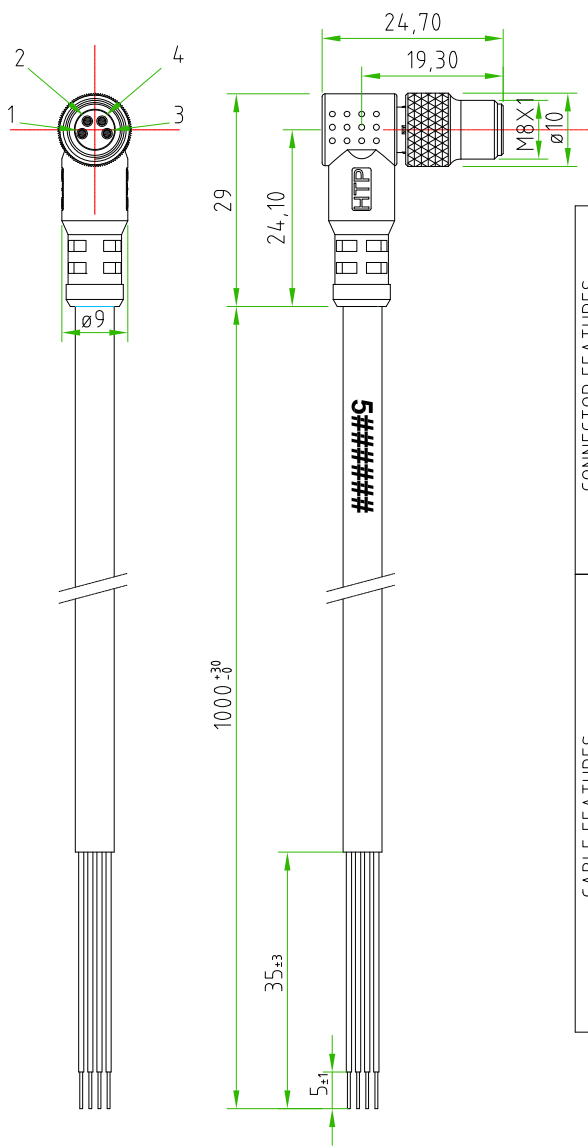


Rev.	Modify	Date	Signed	Approved

- BROWN ○ ———— ■ 1
- WHITE ○ ———— ■ 2
- BLUE ○ ———— ■ 3
- BLACK ○ ———— ■ 4

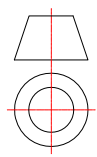


CONNECTOR FEATURES	
PRODUCT TYPE	M8 CIRCULAR CONNECTOR WITH MOULDED CABLE
CONNECTOR TYPE	ANGLED 90°
CONTACTS TYPE	MALE 4POLES
NUMBER OF CONTACTS CONNECTED	N°4
PROTECTION CLASS	IP69K
RATED VOLTAGE	50V AC / 60V DC
RATED CURRENT	3A
CONNECTOR WITH H.T.P.LOGO	
CABLE FEATURES	
H.T.P.CABLE CODE	CAVO A-4
NUMBER OF CONDUCTORS	N°4
CONDUCTORS SECTION	0,25mm ²
CABLE MATERIAL	PVC (CEI2022)
COATING COLOUR	BLACK
CONDUCTORS INSULATION MATERIAL	PVC
CABLE LENGTH	1000mm
STRIPPING	35mm STANDARD
PEELING AND TINNING	5mm STANDARD
ON THE CABLE, NEAR THE CONNECTOR HEAD, MUST BE SILK PRINTED THE H.T.P. PRODUCTION DATE CODE 5#####	

<i>CUSTOMER APPROVAL</i>	
SIGNATURE	DATE
<i>PLEASE SIGN AND RETURN</i>	

A4

Designer	CIMMINO L.	Date	2020-05-27	Tolerance	±0.3	Units:	mm	Series	M8	Drawing n.
Approved	SUGLIANI R.	Date	2020-05-27	Scale	1:1	Size:	A4	Customer code:		



DESCRIPTION
 CIRCULAR CONNECTOR M8, MALE, ANGLED 90°, 4 POLES,
 WITH CABLE PVC/PVC CEI2022 4x0.25mm², BLACK COLOUR, L=1m
 CONNECTOR WITH H.T.P. LOGO

H.T.P. PART NUMBER
 08MA4A1Z