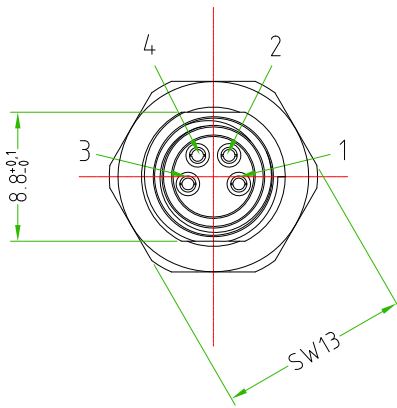
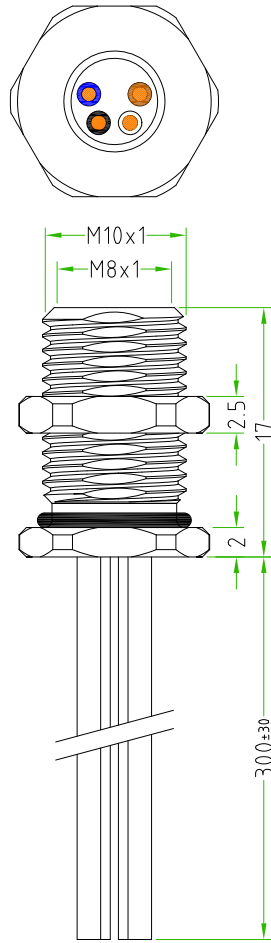


Rev.	Modify	Date	Signed	Approved

Rev.	Modify	Date	Signed	Approved

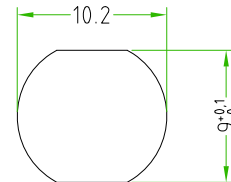
Rev.	Modify	Date	Signed	Approved



- BROWN ○ ————— C 1
- WHITE ○ ————— C 2
- BLUE ○ ————— C 3
- BLACK ○ ————— C 4

CONNECTOR FEATURES	
PRODUCT TYPE	M8 CIRCULAR CONNECTOR TO PANEL WITH CONTACTS FOR SOLDERED WIRES.
TYPE MOUNTING	BACK MOUNTING
CONTACTS TYPE	FEMALE 4POLES
NUMBER OF CONTACTS CONNECTED	N°4
HOUSING MATERIAL	STAINLESS STEEL AISI316L
O-RING MATERIAL	NBR
EXTERNAL FIXING THREAD	M10x1
INTERNAL FIXING THREAD	M8x1
SIZE FIXED NUT(SW)	SW13
SIZE MOBILE NUT(SW)	SW13
CUT SIZE	8,8mm +0,1/-0
PROTECTION CLASS	IP67
RATED VOLTAGE	50V AC / 60V DC
RATED CURRENT	3A
CONNECTOR WITHOUT ANY LOGO	
WIRES FEATURES	
NUMBER OF CONDUCTORS	N°4
CONDUCTORS SECTION	0,25mm ²
CONDUCTORS INSULATION MATERIAL	PVC
CONDUCTORS LENGHT	300mm

SIZE CUT(on the panel):



CUSTOMER APPROVAL	
SIGNATURE	DATE
PLEASE SIGN AND RETURN	

Designer	SUGLIANI R.	Date	2019-06-27	Tolerance	±0.2	Units:	mm	Series	M12	Drawing n.	1-1
Approved	CIMMINO L.	Date	2019-06-27	Scale	2:1	Size:	A4	Customer code:	A0206374		



DESCRIPTION
M8 FEMALE PANEL 4 POLES BACK MOUNTING, M10X1 COMPLETE WITH CUT, WITH N°4 PVC SOLDER WIRES 4X0,25mm², L=300mm. CONNECTOR WITHOUT H.T.P. LOGO

H.T.P. PART NUMBER
08FR4A0C-CUT-IN316

A4

