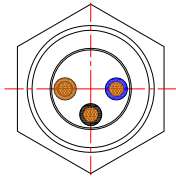


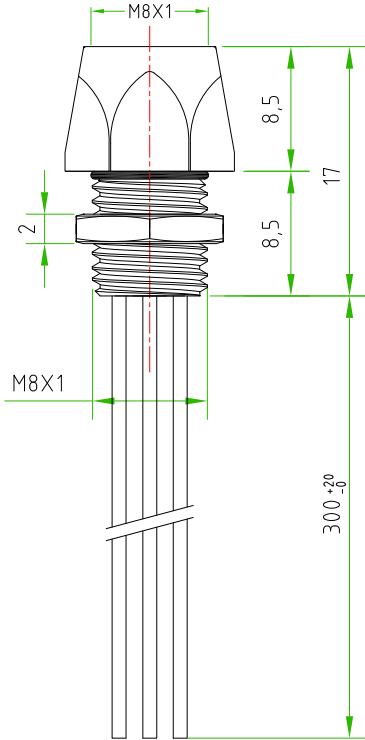
Rev.					
Modify					
Date					
Signed					
Approved					

Rev.					
Modify					
Date					
Signed					
Approved					

Rev.					
Modify					
Date					
Signed					
Approved					

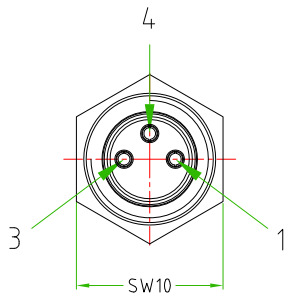


BROWN ○ ————— (1
 BLUE ○ ————— (3
 BLACK ○ ————— (4

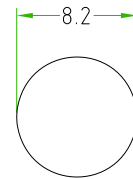
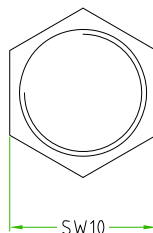


CONNECTOR FEATURES	PRODUCT TYPE	M8 CIRCULAR CONNECTOR TO PANEL WITH WIRES
	TYPE MOUNTING	FRONTAL MOUNTING
	CONTACTS TYPE	FEMALE 3POLES
	NUMBER OF CONTACTS CONNECTED	N°3
	HOUSING MATERIAL	BRASS+NICKEL PLATED
	O-RING MATERIAL	NBR
	FIXING THREAD	M8x1
	SIZE FIXED NUT(SW)	SW10
	SIZE MOBILE NUT(SW)	SW10
	PROTECTION CLASS	IP67
RATED VOLTAGE	50V AC/ 60V DC	
RATED CURRENT	3A	
CONNECTOR WITHOUT ANY LOGO		
WIRES FEATURES	NUMBER OF CONDUCTORS	N°3
	CONDUCTORS SECTION	0,25mm ²
	CONDUCTORS INSULATION MATERIAL	PVC
	CONDUCTORS LENGHT	300mm

SIZE CUT(on the panel):



MOBILE NUT

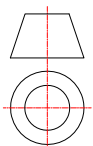


PAY ATTENTION to the position of the internal core towards the CUT and the exagonal fixed nut.

CUSTOMER APPROVAL	
SIGNATURE	DATE
PLEASE SIGN AND RETURN	

A4

Designer	SUGLIANI R.	Date	2021-05-21	Tolerance	±0.3	Units:	mm	Series	M8	Drawing n.	1-1
Approved	CIMMINO L.	Date	2021-05-21	Scale	2:1	Size:	A4	Customer code:			



DESCRIPTION
 CIRCULAR CONNECTOR M8,FEMALE,TO PANEL,3POLES,FRONTAL MOUNTING, FIXING THERAD M8X1, WITH N°3 WIRES PVC 0,25mm² L=300mm, CONNECTOR WITHOUT ANY LOGO

H.T.P.PART NUMBER

08FP3A0C-M8X1