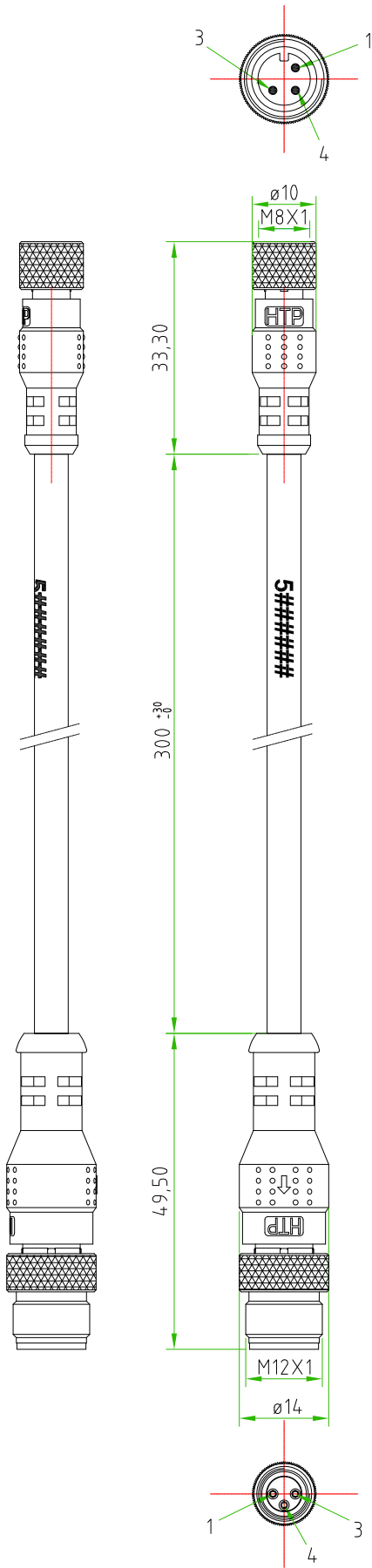


Rev.	Modify	Date	Signed	Approved

Rev.	Modify	Date	Signed	Approved

Rev.	Modify	Date	Signed	Approved



M8		M12	
1)	BROWN	1	■
3)	BLUE	3	■
4)	BLACK	4	■

CONNECTOR FEATURES	PRODUCT TYPE	EXTENSION M8-M12 CIRCULAR CONNECTORS WITH MOULDED CABLE	
	M8 CONNECTOR TYPE	STRAIGHT 180° FEMALE 3POLES	
	M12 CONNECTOR TYPE	STRAIGHT 180° MALE 3POLES	
	NUMBER OF CONTACTS CONNECTED	N°3	
	PROTECTION CLASS	IP69K	
	RATED VOLTAGE	50V AC / 60V DC	
	RATED CURRENT	3A	
CABLE FEATURES	CONNECTORS WITH H.T.P.LOGO		
	H.T.P.CABLE CODE	CAVO C-3-K6-R	
	NUMBER OF CONDUCTORS	N°3	
	CONDUCTORS SECTION	0,25mm ² (AWG 24)	
	CABLE MATERIAL	PUR ULstyle21576 us	
	COATING COLOUR	BLACK	
	CONDUCTORS INSULATION MATERIAL	TPO	
	CABLE LENGHT	300mm	
		HIGH FLEX (CLASS 6)	
	ON THE CABLE, NEAR THE CONNECTOR HEAD, MUST BE SILK PRINTED THE H.T.P. PRODUCTION DATE CODE #####		
ON THE CABLE MUST NOT BE APPLIED HOLDERS FOR CABLE MARKING.			

CUSTOMER APPROVAL	
SIGNATURE	DATE
PLEASE SIGN AND RETURN	

A4

Designer	SUGLIANI R.	Date	2019-07-10	Tolerance	±0.3	Units:	mm	Series	M8-M12	Drawing n. 1-1
Approved	CIMMINO L.	Date	2019-07-10	Scale	1:1	Size:	A4	Customer code:		

	DESCRIPTION	H.T.P.PART NUMBER
	EXTENSION CIRCULAR CONNECTORS M8,FEMALE,STRAIGHT 180°,3POLES+M12 MALE,STRAIGHT 180°,3POLES,WITH CABLE PUR/TPO,3x0,25mm ² ,BLACK COLOUR, HIGH FLEX,ULstyle21576,L=0,3m.CONNECTORS WITH H.T.P.LOGO	08FD3C0C12MD-K6-IS