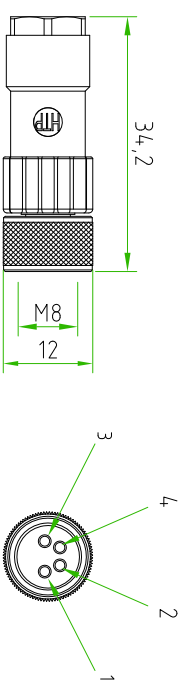
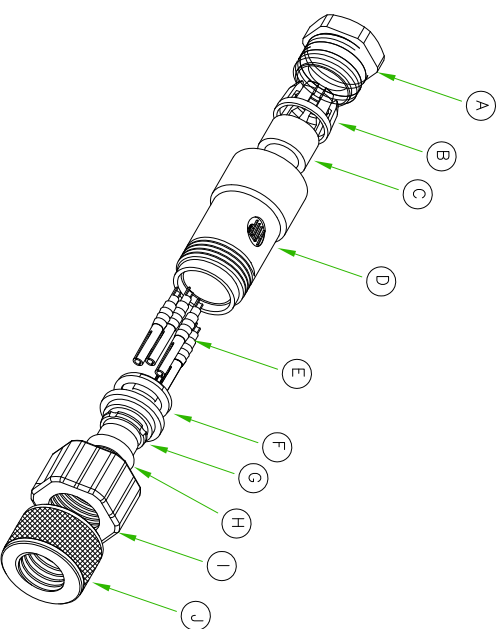


A	PRESS CABLE SREW
B	LAMELLAE PRESS-CABLE SEAL
C	GASKET PRESS-CABLE SEAL
D	HOUSING- BLACK
E	SOLDERED CONTACT GOLD PLATED
F	O-RING
G	INTERNAL CORE M8
H	O-RING
I	PLASTIC NUT FOR HOUSING
J	M8 NUT Brass+nickel plated (CuZnNi)



CONNECTOR FEATURES	
PRODUCT TYPE	M8 FIELD ATTACHABLE
CONTACT TYPE	SOLDERED FEMALE
NUMBER OF CONTACTS	4POLES
HOUSING MATERIAL	PA66
HOUSING TYPE	STRAIGHT 180°
HOUSING COLOUR	BLACK
EXIT CABLE	PG7
RATED VOLTAGE	50V AC / 60V DC
RATED CURRENT	3A
COUPLING NUT MATERIAL	Brass+nickel plated (CuZnNi)
O-RING	NBR
PROTECTION CLASS	IP67
CONNECTOR WITH H.T.P.LOGO	

TOLLERANZE	±0,2	DISIGNATORE	DATA	SCALE	DESIGN N.
UDM	ANGOLO	ROBERTO SUGLIANI	26-08-2016	1:1	
		CONTROLLATO			
DESCRIZIONE					
M8 FEMALE STRAIGHT 180° 4 POLES WITH H.T.P.LOGO.					
BLACK HOUSING-FIELD ATTACHABLE WITH SOLDERED CONTACT.					
CONNECTOR WITH H.T.P. LOGO					
				TYPE	MATERIAL
				M8	
H.T.P. HIGH TECH PRODUCTS					CODE
					08FC4000