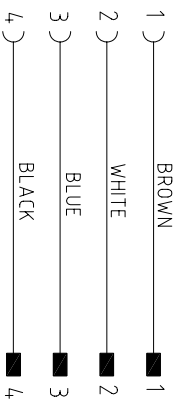
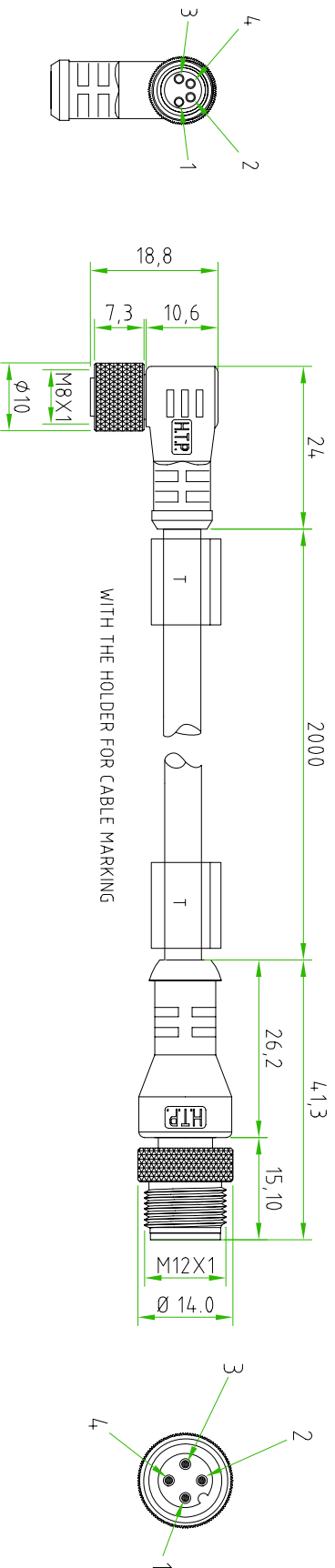


M8 FEMALE




M12 MALE



WITH THE HOLDER FOR CABLE MARKING

CABLE FEATURES		CONNECTOR FEATURES	
PRODUCT TYPE	M8-M12 EXTENSION	CONTACT TYPE	FEMALE-MALE
CABLE LENGTH	2000mm	M8 FEMALE 90°	4 POLES
NUMBER OF CONDUCTORS	N°4	M12 MALE 180°	4 POLES
CONDUCTOR SECTION	0.25mm ²	PROTECTION CLASS	IP69K
CABLE MATERIAL	PUR	NUMBER OF CONTACTS CONNECTED	N°4
COATING COLOUR	BLACK	CONNECTORS WITH H.T.P. LOGO	
CONDUCTOR INSULATION MATERIAL	PP	EXTENSION WITH THE HOLDER FOR CABLE MARKING	

TOLLERANZE		DESIGNATORE		DATA		SCALA		DISSEGNO	
UDM	ANGOLO	LORENZO CHINNO	CONTROLLATO	17-01-11		1:1			
DESCRIZIONE		TPO		MATERIALE					
EXTENSION M8 FEMALE ANGLED 90° 4 POLES WITH CABLE PUR/PP		EXTENSION M8							
BLACK 4X0.25mm ² L=2m-M12 MALE STRAIGHT 180° 4POLES									
 HTP High Tech Products H.T.P. HIGH TECH PRODUCTS		CODICE 08FA4C2Z12MD							