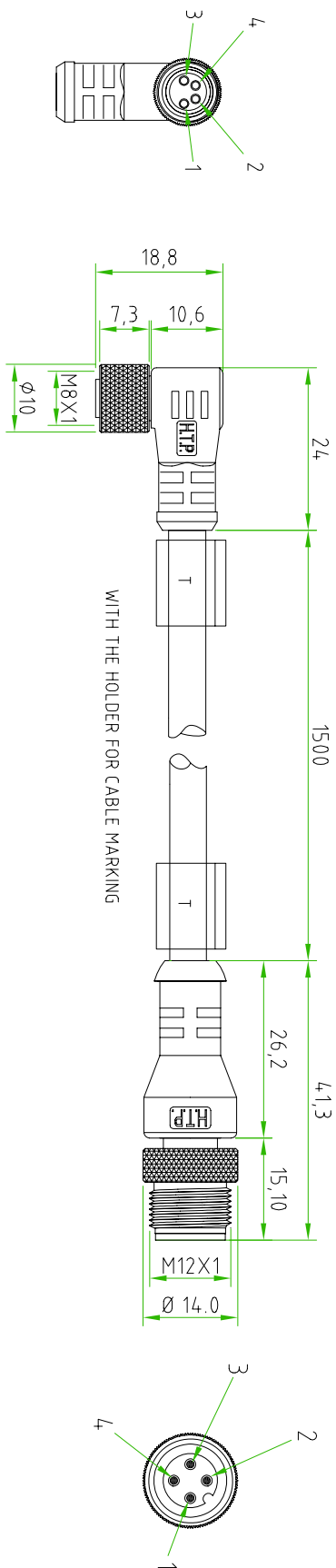


### M8 FEMALE



### M12 MALE



CABLE FEATURES		CONNECTOR FEATURES	
PRODUCT TYPE	M8-M12 EXTENSION	CONTACT TYPE	FEMALE-MALE
CABLE LENGTH	1500mm	M8 FEMALE 90°	4 POLES
M12 MALE 180°	4 POLES	PROTECTION CLASS	IP69K
NUMBER OF CONTACTS CONNECTED	N°4	CONNECTORS WITH H.T.P. LOGO	
EXTENSION WITH THE HOLDER FOR CABLE MARKING			
H.T.P. CABLE CODE	C		
NUMBER OF CONDUCTORS	N°4		
CONDUCTOR SECTION	0.25mm <sup>2</sup>		
CABLE MATERIAL	PUR		
COATING COLOUR	BLACK		
CONDUCTOR INSULATION MATERIAL	PP		

TOLLERANZE		DESIGNATORE		DATA		SCALA		DISSEGNO	
UDM	ANGOLO	LORENZO CHINNO	CONTROLLATO	17-01-11		1:1			
DESCRIZIONE		TIPO		MATERIALE					
EXTENSION M8 FEMALE ANGLED 90° 4 POLES WITH CABLE PUR/PP		EXTENSION M8							
BLACK 4X0.25mm <sup>2</sup> 1.15m-M12 MALE STRAIGHT 180° 4POLES									
		H.T.P.		08FA4C1E12MD					
HIGH TECH PRODUCTS									