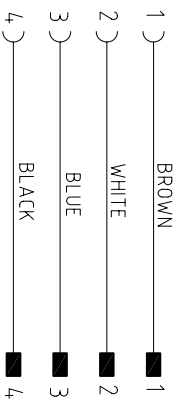
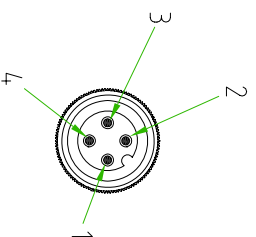
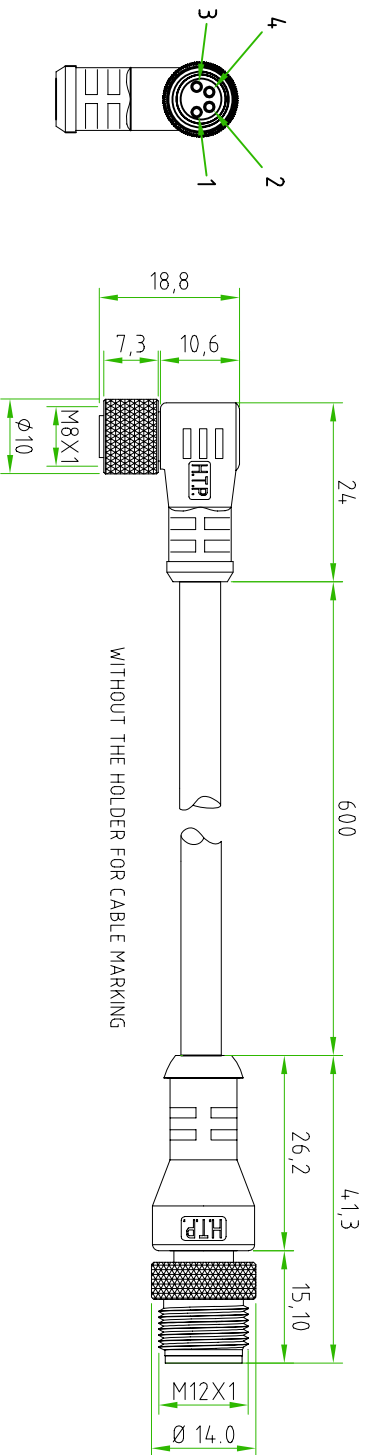


## M8 FEMALE



## M12 MALE



CABLE FEATURES		CONNECTOR FEATURES	
PRODUCT TYPE	M8-M12 EXTENSION	CONTACT TYPE	FEMALE-MALE
CABLE LENGTH	600mm	M8 FEMALE 90°	4 POLES
NUMBER OF CONDUCTORS	N°4	M12 MALE 180°	4 POLES
CONDUCTOR SECTION	0.25mm <sup>2</sup>	PROTECTION CLASS	IP69K
CABLE MATERIAL	PUR	NUMBER OF CONTACTS CONNECTED	N°4
COATING COLOUR	BLACK	CONNECTORS WITH H.T.P. LOGO	
CONDUCTOR INSULATION MATERIAL	PP	EXTENSION WITHOUT THE HOLDER FOR CABLE MARKING	
		H.T.P. CABLE CODE	C

TOLLERANZE		DESIGNAZIONE		DATA		SCALA		DISSEGNO	
UDM	ANGOLO	OPERAZIONE	CONTROLLO	17-01-11		1:1			
DESCRIZIONE		UDM		TYPE		MATERIAL			
EXTENSION M8 FEMALE ANGLED 90° 4 POLES WITH CABLE PUR/PP		EXTENSION M8		EXTENSION M8					
BLACK, LxX0.25mm <sup>2</sup> L=0.6m-M12 MALE STRAIGHT 180° 4 POLES		08FA4C0F12MD		CODE					
 <b>HTP</b> HIGH TECH PRODUCTS		<b>H.T.P.</b> High Tech Products							